



EOTec 2000 Ethernet 2C53 4-Port Switch



The 2C53 Ethernet, 10/100 Base-T(X), Unmanaged Switch Module requires no user configuration. The four RJ45 ports will automatically negotiate data rates and will auto-sense Full or Half duplex operation. The 2C53 will automatically learn the addresses of the devices connected to each port (up to 1024) and will buffer and route messages accordingly.

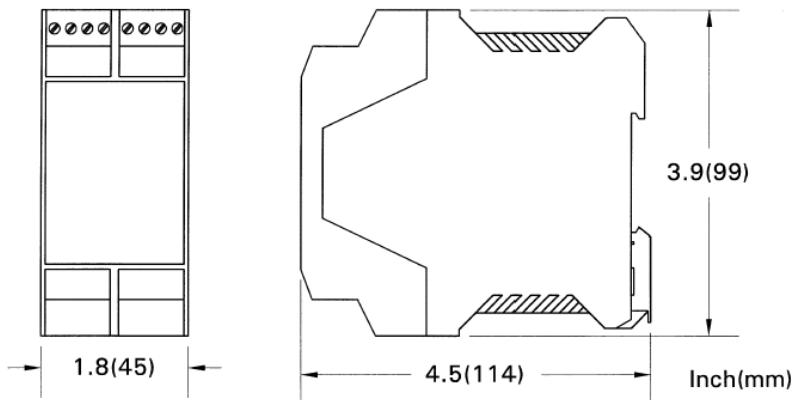
Visual (LED) indicators display the status of all ports/links. There is an additional Ethernet port in the module's integrated BUS interconnections. This BUS port provides a connection for one additional EOTec 2000 Ethernet Switch Module or Switched Media Converter Module assisting in forming star or daisy chain network configurations.

SPECIFICATIONS

Mechanical:

Mounting: 35mm DIN Rail

Weight: < 6.5oz (185g)



Power Requirements:	10 to 30Vdc @ 300mA, Connection via Pluggable cage-clamp screw terminal block	
Ethernet Compliance:	IEEE 802.3(U)(X) Compliant, All standard protocols	
Data Rates (RJ45):	10 or 100Mbps, Full or Half Duplex, Auto-negotiating	
Ethernet Port Connections:	4 x RJ45; 10/100Base-T(X); with automatic wiring correction 1 x BUS port; 100Base-TX, Full Duplex	
Status Indicators		
Power:	Green LED;	On when proper power is connected
Port Activity:	Green LED;	Off when no connection is detected on port On when connection to port established Flashing to indicate activity on port
Port Speed (RJ45):	Amber LED;	Off when data rate is 10Mbps On when data rate is 100Mbps
Ambient Conditions:	-40°C to 85°C Operational 5 to 95% Relative Humidity Non-Condensing	



Approved

Class I, Division 2, Groups A, B, C & D

