



EOTec 2000 Ethernet 2C52 4-Port Switch



The 2C52 Ethernet 10/100 Base-T(X) Unmanaged Switch Module requires no user configuration. The data rate is automatically negotiated and the ports will auto-sense Full or Half duplex operation. The 2C52 will automatically learn the addresses of the devices connected to each port (up to 1024) and will buffer and route messages accordingly.

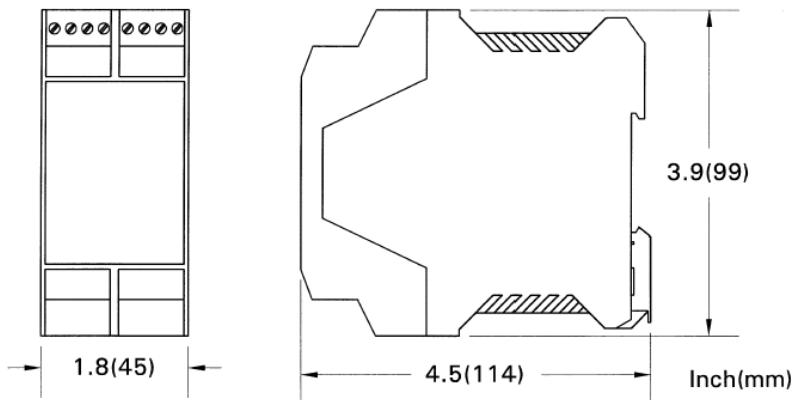
Visual (LED) indicators display the status of all ports/links. There is an additional Ethernet port in the module's integrated BUS interconnections. This BUS port provides a connection for one additional EOTec 2000 Ethernet Switch Module or Switched Media Converter Module assisting in forming star or daisy chain network configurations.

SPECIFICATIONS

Mechanical:

Mounting: 35mm DIN Rail

Weight: < 6.5oz (185g)



Power Requirements: 7.5Vdc @ 500mA, via the BUS interconnection in combination with any of the EOTec 2000 Power Supply Modules (except 2A50, 2A56)

Ethernet Compliance: IEEE 802.3(U)(X) Compliant, All standard protocols

Data Rates (RJ45): 10 or 100Mbps, Full or Half Duplex, Auto-negotiating

Ethernet Port Connections: 4 x RJ45; 10/100Base-T(X); with automatic wiring correction
1 x BUS port; 100Base-TX, Full Duplex

Status Indicators

Power:	Green LED;	On when proper power is connected
Port Activity:	Green LED;	Off when no connection is detected on port On when connection to port is established Flashing to indicate activity on port
Port Speed:	Amber LED;	Off when data rate is 10Mbps On when data rate is 100Mbps

Ambient Conditions: -40°C to 85°C Operational
5 to 95% Relative Humidity Non-Condensing



Approved

Class I, Division 2,
Groups A, B, C & D

