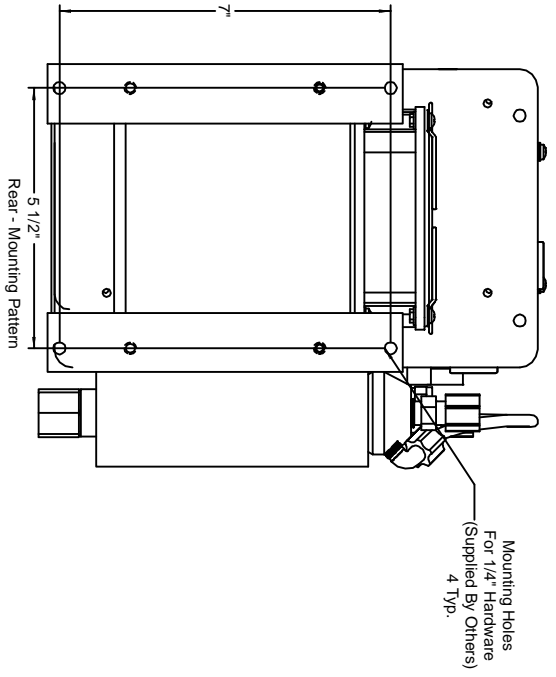
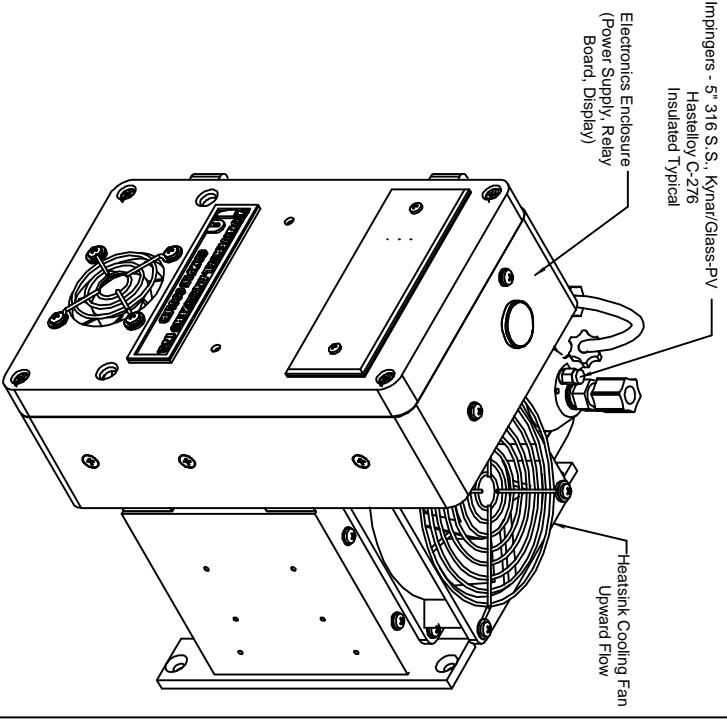
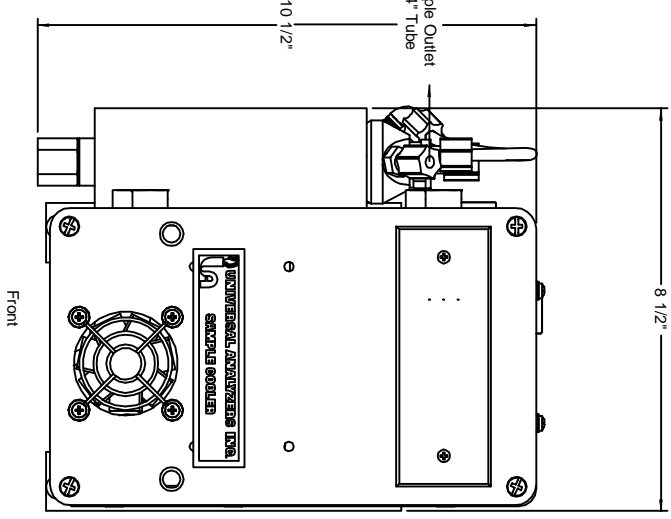
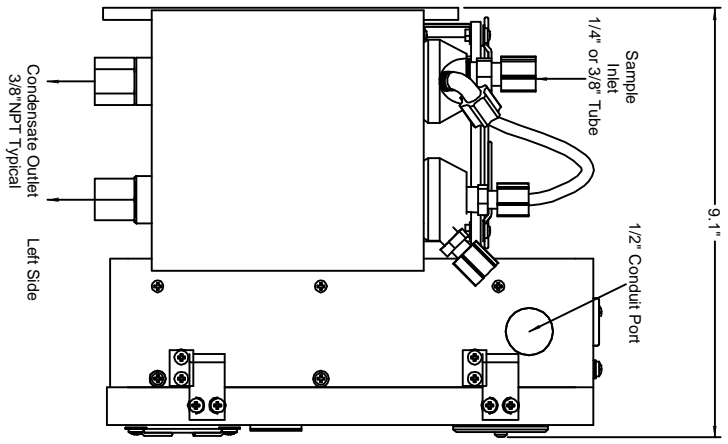


8 7 6 5 4 3 2 1



REV/DATE	DESCRIPTION	APVD
	REVISIONS	
<p>Model 560 Sample Cooler Layout & Mounting Dimensions FOR INSTRUMENT</p>		
<p>NOT ISSUED</p>		
<p>UNIVERSAL ANALYZERS, INC. 1701 South Suro Terrace Carson City, Nevada 89706 USA</p>		
DRAWN BY: E. Muesel/ten		DRAWING NO: P0654
APVD BY:		SCALE: NTS
DATE: 11/15/2002	SIZE: E	SHEET: 1 OF 1