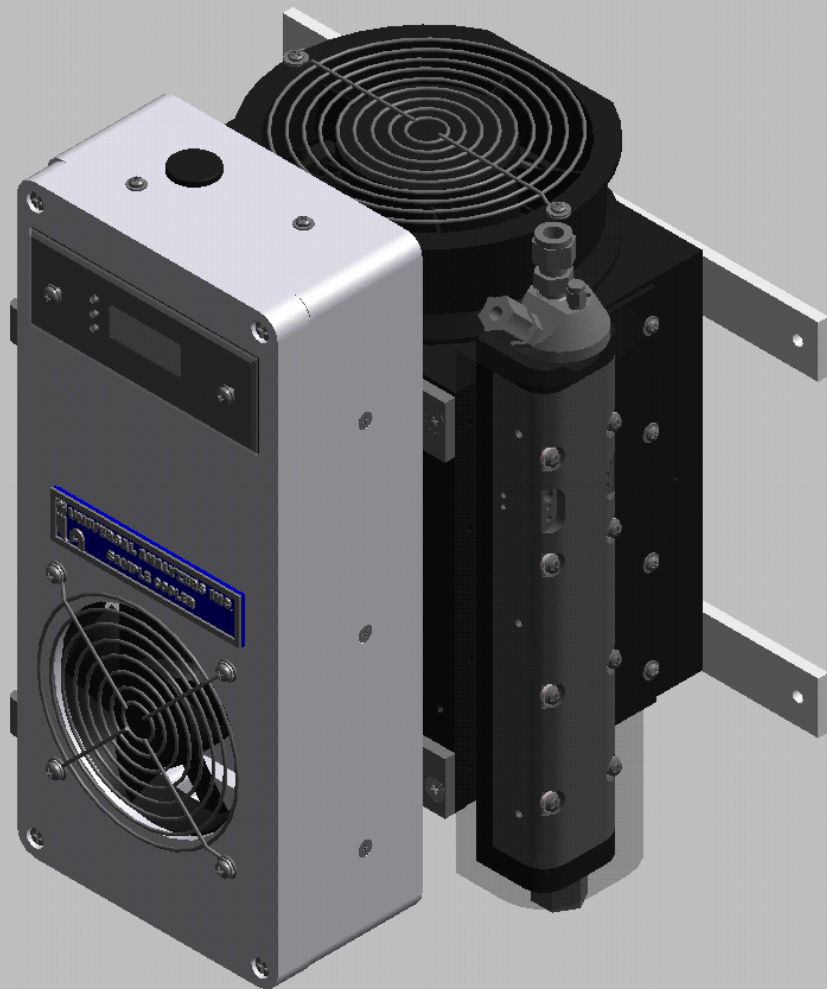




# *MODEL 1040*

## SINGLE CHANNEL SAMPLE COOLER





## **LIMITED WARRANTY**

ALL PRODUCTS MANUFACTURED BY UNIVERSAL ANALYZERS INC. ARE WARRANTED TO BE FREE OF MANUFACTURING DEFECTS FOR A PERIOD OF ONE YEAR FROM THE DATE OF RECEIPT AT THE CUSTOMER'S RECEIVING AREA AND FOR AN ADDITIONAL PERIOD OF UP TO 90 DAYS IF THE PRODUCT IS PLACED IN SERVICE AFTER BEING IN STORAGE. THIS WARRANTY COVERS MATERIALS AND LABOR TO RESTORE ANY PRODUCTS TO ORIGINAL FACTORY SPECIFICATIONS IF A DEFECT IS FOUND WITHIN THE WARRANTY PERIOD.

THE DEFECTIVE PRODUCT SHOULD BE SENT, FREIGHT PREPAID, TO THE FACTORY IN CARSON CITY, NEVADA. REPAIRS WILL BE PERFORMED AT THE FACTORY AND RETURNED, PREPAID, BY THE SAME SHIPPING METHOD USED TO SEND THE PRODUCT TO THE FACTORY.

THIS WARRANTY DOES NOT APPLY WHERE THE EQUIPMENT HAS SUSTAINED DAMAGE DUE TO NEGLIGENCE, MODIFICATION, CORROSION, OR OTHER REASON BEYOND THE SCOPE OF THE NORMAL DEFINITION OF "MANUFACTURING DEFECT".

FURTHER, THIS WARRANTY IS LIMITED TO REPLACING THE DEFECTIVE COMPONENTS AND RETURNING THE EQUIPMENT MANUFACTURED BY UNIVERSAL ANALYZERS INC. TO THE CUSTOMER IN WORKING CONDITION. ANY OTHER CLAIMS ARE OUTSIDE THE SCOPE OF THIS WARRANTY. NO WARRANTIES ARE MADE AS TO THE SUITABILITY OF THE USE OF THE EQUIPMENT IN ANY PARTICULAR APPLICATION OR LOCATION. THE SUITABILITY OF THE USE OF THE EQUIPMENT IS THE RESPONSIBILITY OF THE CUSTOMER AND THE INSTALLING CONTRACTOR.

# Universal Analyzers Inc.

## UNIVERSAL ANALYZERS MODEL 1040 SAMPLE COOLER

### SPECIFICATIONS

SAMPLE FLOW RATE:	0 TO 5 L/M TOTAL (at STP)
MAXIMUM INLET TEMPERATURE:	
STAINLESS STEEL HEAT EXCHANGER:	700° F. (351° C.)
KYNAR/GLASS HEAT EXCHANGER:	280° F. (138° C.)
MAXIMUM INLET GAS DEWPOINT:	178° F. (81° C.)
MAXIMUM INLET WATER CONCENTRATION:	50%
MINIMUM AMBIENT TEMPERATURE:	34° F. (1° C.)
MAXIMUM AMBIENT TEMPERATURE:	105° F. (41° C.)*
MAXIMUM COOLING POWER:	126 BTUs PER HOUR (120 kJ/Hr.)
OUTLET SAMPLE DEW POINT:	41° F. (5° C.)
GAS SAMPLE INLET FITTINGS:	3/8" TUBING FITTINGS
GAS SAMPLE OUTLET FITTINGS:	1/4" TUBING FITTINGS
BOTTOM WATER DRAIN FITTINGS:	3/8" TUBING FITTINGS
MAXIMUM INPUT POWER:	400 WATTS
VOLTAGE:	90-132 or 180-264 VAC, 50/60 Hz
ELECTRICAL CLASSIFICATION:	GENERAL PURPOSE, NEMA 1
DIMENSIONS:	15" HIGH x 10" WIDE x 12 DEEP
WEIGHT:	31 LBS (14 KG)
SOLUBLE GAS REMOVAL RATES:	NO       0% LOSS NO <sub>2</sub> <10% LOSS SO <sub>2</sub> < 2% LOSS CO     0% LOSS CO <sub>2</sub> < 2% LOSS

\* at reduced flow rate. See next page.

## APPLICATION

In order to sample combustion product stack gas or exhaust from Internal Combustion (IC) engines, a method to remove moisture from the sample without removing gas components of interest is a must. The Universal Analyzers Peltier Effect Sample Cooler is an ideal way to decrease the dew point of combustion gasses to a repeatable, stable, constant low dew point. The Universal Analyzer Gas Sample Coolers prevent water condensation in sample prefilters, sample pumps, and gas analyzers. For gas analyzers where water vapor is an interferent, a stable, repeatable dew point becomes a part of the gas analyzer's performance specification. The Universal Analyzers sample cooler provides this constant water concentration resulting in an accurate analysis of the components of interest.

The gas sample to be analyzed is brought to the sample cooler, first through a sample probe which usually contains a heated filter, and then through a heated sample line which keeps the sample above its dew point. The Universal Analyzers Sample Cooler then condenses water from the sample which lowers the dew point to 5 degrees C. (41 degrees F.). Particulate matter which escaped being filtered by the heated stack filter and which passes through the sample cooler can be removed by a visible sample prefilter, available from Universal Analyzers, located downstream from the sample cooler.

A gas sample pump should be provided as part of the sampling system. If the sample pump is placed ahead of the sample cooler, it should be provided with a heated head to avoid the condensation of water vapor due to the pump being below the dew point temperature of the sample. More commonly, the sample pump will be placed after the sample cooler in order to draw the sample through the cooler so that it has been dehydrated before the sample passes through the pump.

A means to control the flow of the sample through the system should be available and visible to the operator. This could be accomplished through the use of pressure regulators with gauges, flowmeters, and/or flow control needle valves.

Condensate removal from the heat exchanger(s) within the Sample Cooler can be accomplished through one of the following alternative methods:

1. A continuously running peristaltic tubing pump.
2. Installing the heat exchanger as a bypass condenser, pulling excess sample through with an eductor.
3. Using float drain traps similar to a steam trap. This requires the sample within the cooler to be at a positive pressure.
4. Use of drain pots on level control with a removal pump.

## DESCRIPTION

The Model 1040 can condition a gas sample stream to remove water vapor. The sample heat exchanger is cooled thermoelectrically and controlled with a temperature sensor and control circuitry.

The key to the success of the Universal Analyzers Sample Cooler being able to condense the water from a wet gas sample with a minimal loss of the water soluble gas fraction, is due to the design of the heat exchanger. The separation occurs in a classical impinger which has a highly polished cylindrical surface cooled to the desired dew point temperature. The gas sample is brought to the bottom of the cylinder through an insulated tube and allowed to rise through a narrow annular area at a relatively high Reynolds number to insure the entire sample is influenced by the cold surface. The condensate falls down the cold polished surface in the form of a sheet (as opposed to droplets or the bubbling of the gas sample through the condensate) which minimizes the surface area in contact with the gas sample.

The temperature of the cylindrical condensation surface of the heat exchangers are maintained through intimate contact with aluminum heat transfer blocks. In the Model 1040 Sample Cooler, the heat exchanger is cooled by the use of thermoelectric elements to a controlled temperature of 5° C. The temperature sensor is a type "K" thermocouple. The temperature controller is a proportional controller with a proportional band of one degree C. The set point is factory set but field adjustable (0° - 25° C.) by opening the enclosure to reach the set point potentiometer. The internal momentary snap action switch changes the temperature display to read the control temperature set point of the thermoelectrically cooled heat transfer block.

The fan cooled heat sink is constructed from anodized pure aluminum fins which carry and transfer heat into the air which is pulled through the heat sink with a high capacity fan. The pure aluminum material is a far better conductor of heat than the aluminum alloys which are normally used for extruded heat sinks. The result is an assembly which has superior heat exhausting capabilities under high ambient temperature conditions.

Universal Analyzers Thermoelectric Sample Coolers have a digital display as a front panel indication of the operating temperatures of each of the thermoelectrically cooled heat transfer blocks (switch selectable) in degrees Centigrade. Two internal jumpers at the top of the control circuit board within the enclosure can be moved to change the indicated temperature to read out in degrees Fahrenheit.

In addition, there are three LED lamps to indicate the status of the cooler. The "COOL" lamp is a green LED which lights when the operating temperature falls below the factory set temperature of 10° C. An "Over-temperature relay" is powered when the "Cool" lamp is on. The relay board within the enclosure has terminal strips to allow the relay contacts to be accessed for alarm purposes. The sample pump can be interlocked with this relay.

The "DRY" lamp is a green LED which indicates that there is no water in contact with the moisture sensor listed as the "WCO" or "WCOF" option. If no moisture sensor is used, the lamp should be turned off by installing a jumper on the moisture sensor input terminals on the relay board. Without a moisture sensor installed, the "DRY" lamp has no meaning. The moisture sensor relay which is energized in the "dry" condition can be used to provide contacts to activate an annunciator panel and/or turn off the sample pump in the "wet" condition.

The "TC" lamp is a red LED which comes on if there is an open connection in the temperature control thermocouple. If it turns on, it is an indication of a temperature problem. The "over-temperature" relay will also transfer to the high temperature condition if the red "TC" lamp comes on.

The WCO or WCOF option available with the Universal Analyzers Sample Cooler is a sensor which detects the presence of liquid water. It is to be placed in each gas sample stream after the cooler, directly ahead of the visible sample filter to provide an alarm if condensate is found for any reason downstream from the sample cooler. The electronics associated with water carry-over sensors is included as a standard part of all Universal Analyzers Thermoelectric Sample Coolers. Two "Form C" relay contact sets are provided for each moisture sensor which transfer if water is present on the surface of the sensor.

## **INSTALLATION INSTRUCTIONS**

Thermoelectric Sample Coolers should be installed away from heat sources in a well ventilated area of an instrument rack or enclosure. Completely enclosing any instrument generating 400 watts of energy will cause the temperature of the interior of the enclosure to rise to too great a level for the sample cooler to perform reliably. Universal Analyzers supplies NEMA 12 type enclosures modified to duct outside air directly into the heat sink. The heated air is then exhausted to the outside of the enclosure with two fans, thermostatically controlled. The interior of the enclosure is also insulated to reduce the solar heat loading in case the enclosure is mounted in the sun.

Sample tubing should be brought to the each heat exchanger inlet. A 3/8" tubing fitting is provided at the top of the first stage heat exchanger for the sample inlets to the sample cooler. The dry sample outlet from the second stage is a 1/4" tubing fitting coming out of the top at an angle. If it is desired to operate the second, chilled, stage at a pressure above atmospheric, the sample pump can be located between the heat exchangers to pressurize the second stage.

The gas sample should flow through an additional filter (with a clear bowl for checking the condition of the filter) as a safety measure before entering the analyzer(s).

A sample pump is normally required to pull the sample through the sample cooler and to force it through the visible filter. Moisture sensors, if used should be located ahead of the visible filters or should be incorporated as part of the visible filters.

A 3/8" tubing fitting is provided as the condensate drain connection at the bottom of each heat exchanger. This can be removed to expose 3/8" NPT female connections. Equipment required to remove the condensate must be installed. Several methods are discussed above. If a peristaltic pump is used the requirement will be for a dual head pump, one for each heat exchanger.

## **START UP PROCEDURE**

Apply power to the sample cooler. The indicated temperature will start to drop immediately. It should be below the over-temperature set point in approximately four minutes and the "COOL" green LED lamp should light. When the temperature reaches the control point (set at 5° C.), the rate at which the temperature drops will be reduced. It will stabilize between 4° and 5° C.

Start the sample gas flow. Water should be observed to be removed from the bottom of each heat exchanger when steady state conditions are established.

If moisture sensors are installed, the (DRY) light should remain on as dry gas is transported to the analyzer(s).

Turn on the analyzer(s) and calibrate as required.

## **CONTROLLER CIRCUIT BOARD DETAILS**

(Refer to drawing P0023 and schematic E0003)

The controller board takes 15 volts DC from the power supply through silicone insulated, #8 wires to brass studs identified as "DC POWER INPUT". The temperature sensor is a type K thermocouple located near the gas outlet location, buried within the cold heat transfer block containing the thermoelectrically cooled heat exchanger. An open thermocouple will be indicated by the red LED on the panel. Signal conditioning of the thermocouple potential includes potentiometer, R60 to match the display to the output of the signal conditioning circuitry; zero and span controls for calibrating the thermocouple, R41 and R37 respectively. The ability to display either degrees C or F is also provided. Adjustments for the temperature control and alarm set points are R29 and R44 respectively.

Switch, "S2" shown on Drawing P0023, is a momentary action toggle switch located on the board which allows the display to indicate the temperature of the thermocouple when in the center, relaxed position.

When "S2" is held in the alarm relay set, "RLY" position, the temperature at which the alarm relay will transfer can be adjusted with "R44". That temperature will be observed on the digital display. The alarm relay is energized below this temperature. The alarm temperature is set at the factory to 10 degrees C but can be adjusted from 0 to 25 degrees C.

When "S2" is held in the control temperature set, "SET" position, the control temperature is indicated on the display and can be adjusted with "R29". Control is provided for all Peltier elements through individual power FET's at the bottom of the control circuit board. The 15VDC power to the Peltiers is turned on and off three to five times a second. The duration of the "ON" part of the cycle depends on the temperature. Control is proportional within a band of 1 degree C. The top of the band temperature is the temperature displayed when "S2" is held in this position. The temperature is set at the factory to 5 degrees C. but is adjustable from 0 to 25 degrees C.

In order to cause the display to indicate in degrees F. instead of degrees C. as is provided by the factory, the two jumpers at the top of the Control Board should be moved from the marked "C" positions to the marked "F" positions. The offset between the two temperature scales has been adjusted at the factory using "R64". The gain adjustment between the two temperature scales is set with fixed resistors.

The two Peltier elements are individually connected with red wires to any of terminals P1+ through P4+. The black wires are attached to any of the terminals P1- through P4-.

The 2 amp slow blow fuse removes all power from the Control Circuit Board if blown. There will be no lights or indication on the display and the alarm relay will be in the de-energized, alarm position if the fuse is blown.

Connector, "P6" is for to the relay board described below.

### **RELAY CIRCUIT BOARD DETAILS**

(Refer to drawings P0003, P0004 and schematic E0001.):

A relay board is provided in the sample cooler. It provides the circuitry for the moisture sensor including an alarm relay.

The moisture sensor connections are identified at the top end of the relay board as "PROBE". In order to insure that the moisture sensor will function in a noisy environment, the shield around the active conductor should be connected to terminal #2 on the terminal strip. The jumper which is installed by the factory on the same terminal strip is to allow the moisture circuit to be wired as shown on drawing P0004 through one set of Form "C" contacts from the moisture alarm relay to require a manual reset if moisture is detected. Under normal operation, the moisture relay is energized when the sensor is dry and de-energized when it is wet. The relay will reset itself back into the energized condition when the water is removed from the sensor electrodes.

One set of Form "C" contacts on the moisture sensor relay is protected with MOVs and can be used to interrupt power to a fractional horsepower diaphragm pump (1/10 HP at 120 VAC) used to draw the gas sample through the heat exchangers.

The temperature alarm relay also has two sets of form "C" contacts brought out to the terminal strips to be used as alarm and annunciator input contacts. The top set of contacts can also be used to interrupt power to the sample pump.

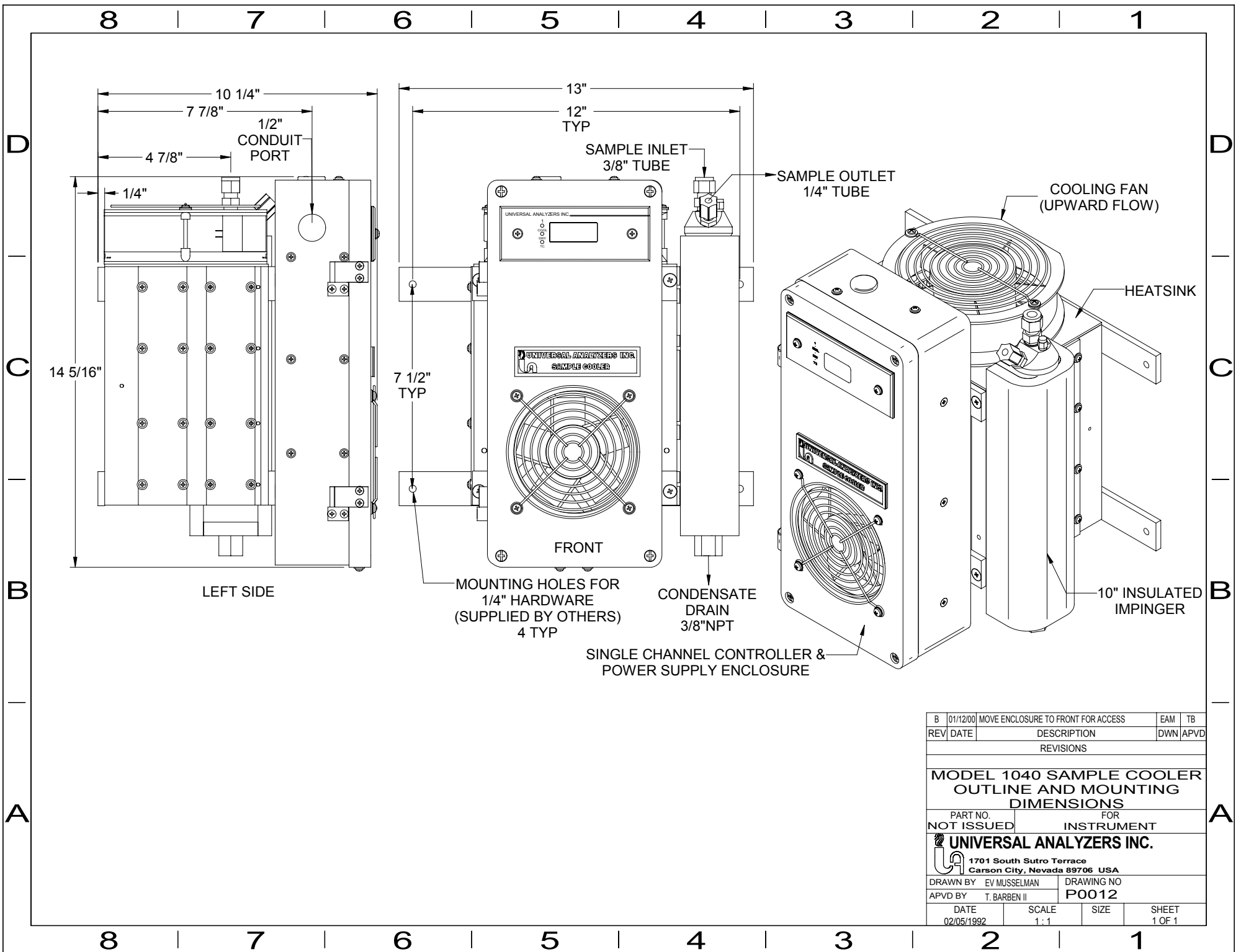
All notations of NC and NO relay contact locations which are screened on the relay circuit board refer to the relay in a de-energized state. The relay is energized in the normal mode and is "fail safe" to relax into the alarm state if power is removed from the circuit board.

## **TROUBLE SHOOTING**

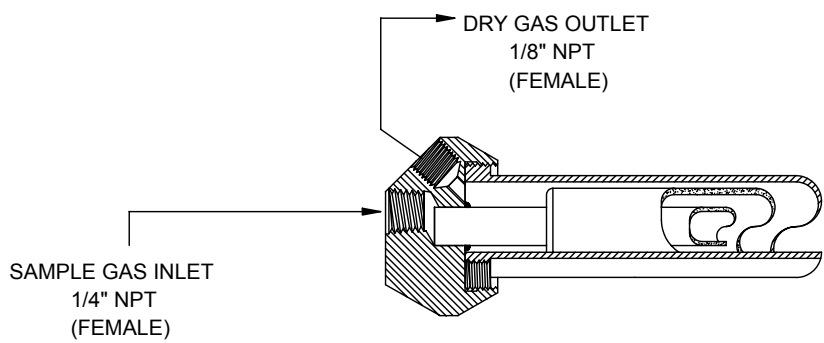
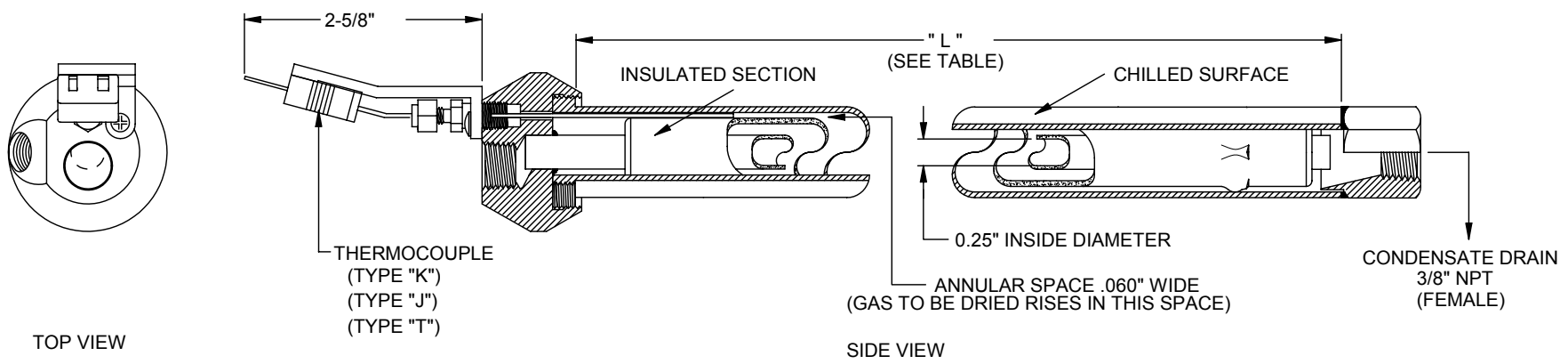
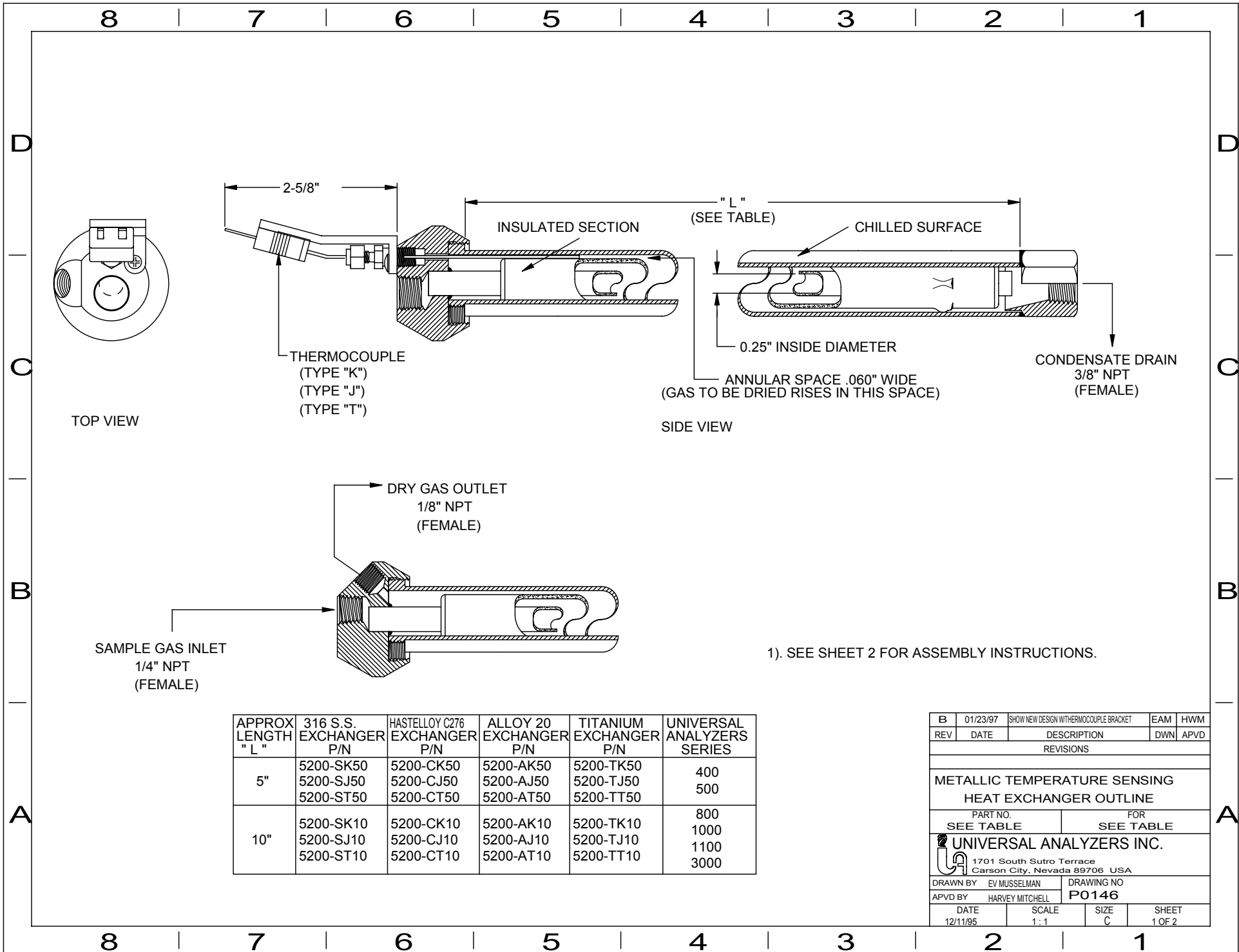
The presence of water in liquid form after the sample cooler is an indication of a fault in the system. Reasons for the presence of condensate in the system after the sample cooler could be one or more of the following:

1. Overloading of the refrigeration capacity of the cooler due to too much water vapor or too great a sample flow rate.
2. A fault in the condensate removal equipment. The heat exchanger has become full of condensate.
3. An air leak in the condensate removal tubing.
4. The temperature of the air passing through the heat sink is too high due to the cooler being in an enclosed box.
5. Failure of the sample cooler

Dimensional drawings, installation drawings, and schematics are included as part of this manual.



B	01/12/00	MOVE ENCLOSURE TO FRONT FOR ACCESS	EAM	TB
REV	DATE	DESCRIPTION	DWN	APVD
REVISIONS				
<b>MODEL 1040 SAMPLE COOLER OUTLINE AND MOUNTING DIMENSIONS</b>				
PART NO.		FOR		
NOT ISSUED		INSTRUMENT		
<b>UNIVERSAL ANALYZERS INC.</b>				
1701 South Sutro Terrace Carson City, Nevada 89706 USA				
DRAWN BY EV MUSSELMAN		DRAWING NO		
APVD BY T. BARBEN II		P0012		
DATE 02/05/1992		SCALE 1:1		SHEET 1 OF 1



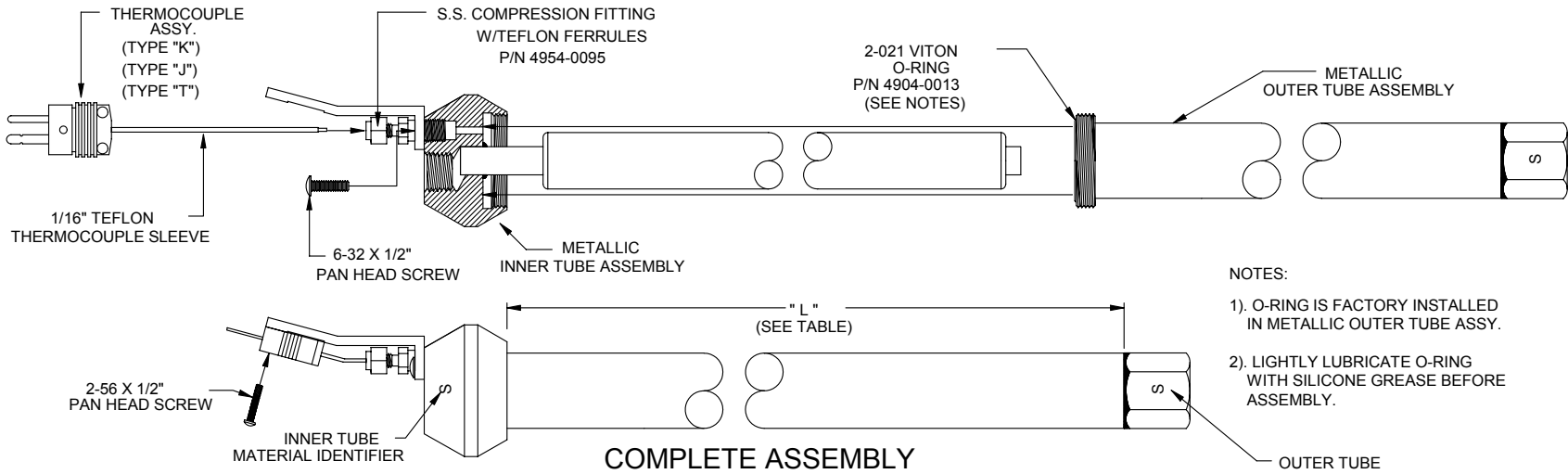
1). SEE SHEET 2 FOR ASSEMBLY INSTRUCTIONS.

APPROX LENGTH "L"	316 S.S. EXCHANGER P/N	HASTELLOY C276 EXCHANGER P/N	ALLOY 20 EXCHANGER P/N	TITANIUM EXCHANGER P/N	UNIVERSAL ANALYZERS SERIES
5"	5200-SK50	5200-CK50	5200-AK50	5200-TK50	400
	5200-SJ50	5200-CJ50	5200-AJ50	5200-TJ50	500
	5200-ST50	5200-CT50	5200-AT50	5200-TT50	
10"	5200-SK10	5200-CK10	5200-AK10	5200-TK10	800
	5200-SJ10	5200-CJ10	5200-AJ10	5200-TJ10	1000
	5200-ST10	5200-CT10	5200-AT10	5200-TT10	1100
					3000

B	01/23/97	SHOW NEW DESIGN WITH THERMOCOUPLE BRACKET	EAM	HWM
REV	DATE	DESCRIPTION	DWN	APVD
REVISIONS				
METALLIC TEMPERATURE SENSING HEAT EXCHANGER OUTLINE				
PART NO. SEE TABLE		FOR SEE TABLE		
UNIVERSAL ANALYZERS INC.				
1701 South Sutro Terrace Carson City, Nevada 89706 USA				
DRAWN BY EV MUSSELMAN		DRAWING NO P0146		
APVD BY HARVEY MITCHELL				
DATE 12/11/95	SCALE 1:1	SIZE C	SHEET 1 OF 2	

8 | 7 | 6 | 5 | 4 | 3 | 2 | 1

### EXPLODED METALLIC HEAT EXCHANGER



- NOTES:
- 1). O-RING IS FACTORY INSTALLED IN METALLIC OUTER TUBE ASSY.
  - 2). LIGHTLY LUBRICATE O-RING WITH SILICONE GREASE BEFORE ASSEMBLY.

### COMPLETE ASSEMBLY

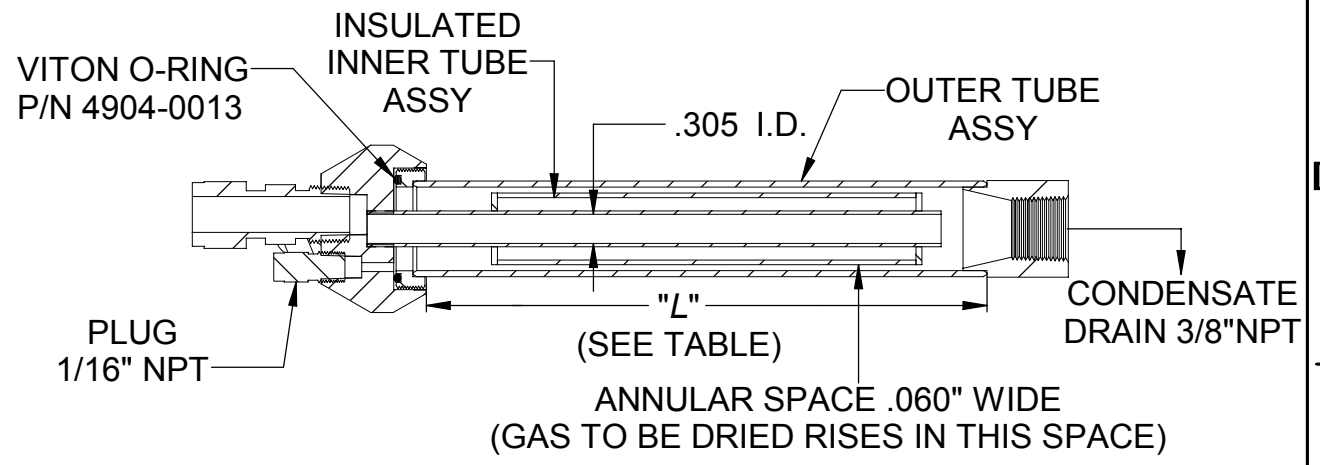
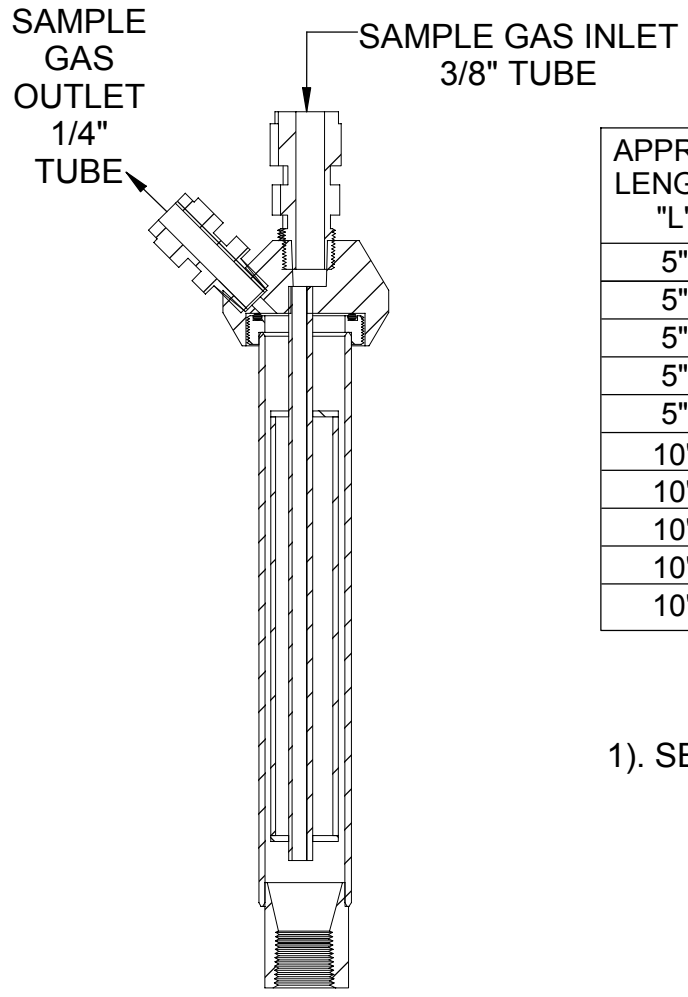
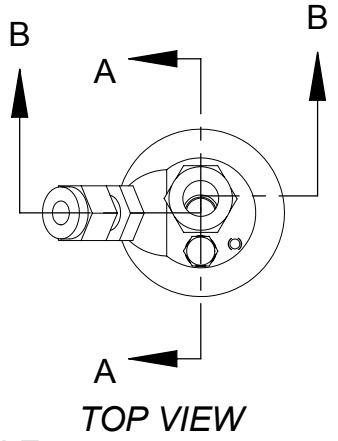
#### SPARE PARTS LIST

"L" LENGTH	MATERIAL DESC.	COMPLETE ASSY P/N	OUTER TUBE ASSY P/N	INNER TUBE ASSY P/N	TYPE "K" THERMOCOUPLE ASSEMBLY P/N	TYPE "J" THERMOCOUPLE ASSEMBLY P/N	TYPE "T" THERMOCOUPLE ASSEMBLY P/N
5"	316 S.S.	5200-SK50	5201-0012	5201-0015	1150-0011	X	X
5"	"	5200-SJ50	"	"	X	1150-0012	X
5"	"	5200-ST50	"	"	X	X	1150-0013
5"	ALLOY 20	5200-AK50	5201-0022	"	"	X	X
5"	"	5200-AJ50	"	"	X	"	X
5"	"	5200-AT50	"	"	X	X	"
5"	HASTELLOY C276	5200-CK50	5201-0020	"	"	X	X
5"	"	5200-CJ50	"	"	X	"	X
5"	"	5200-CT50	"	"	X	X	"
5"	TITANIUM	5200-TK50	5201-0024	5201-0028	1150-0018	X	X
5"	"	5200-TJ50	"	"	X	1150-0019	X
5"	"	5200-TT50	"	"	X	X	1150-0014
10"	316 S.S.	5200-SK10	5201-0013	5201-0016	1150-0011	X	X
10"	"	5200-SJ10	"	"	X	1150-0012	X
10"	"	5200-ST10	"	"	X	X	1150-0013
10"	ALLOY 20	5200-AK10	5201-0023	"	"	X	X
10"	"	5200-AJ10	"	"	X	"	X
10"	"	5200-AT10	"	"	X	X	"
10"	HASTELLOY C276	5200-CK10	5201-0021	"	"	X	X
10"	"	5200-CJ10	"	"	X	"	X
10"	"	5200-CT10	"	"	X	X	"
10"	TITANIUM	5200-TK10	5201-0025	5201-0029	1150-0018	X	X
10"	"	5200-TJ10	"	"	X	1150-0019	X
10"	"	5200-TT10	"	"	X	X	1150-0014

B	01/23/97	SHOW NEW DESIGN WITH THERMOCOUPLE BRACKET	EAM	HWM
REV	DATE	DESCRIPTION	DWN	APVD
REVISIONS				
<b>METALLIC TEMPERATURE SENSING HEAT EXCHANGER ASSEMBLY</b>				
PART NO. SEE TABLE		FOR 400 500 800 1000 1100 3000 SERIES		
<b>UNIVERSAL ANALYZERS INC.</b>				
1701 South Sutro Terrace Carson City, Nevada 89706 USA				
DRAWN BY EV MUSSELMAN		DRAWING NO <b>P0146</b>		
APVD BY HARVEY MITCHELL		DATE 12/11/95	SCALE 1:1	SHEET B 2 OF 2

8 | 7 | 6 | 5 | 4 | 3 | 2 | 1

8 | 7 | 6 | 5 | 4 | 3 | 2 | 1



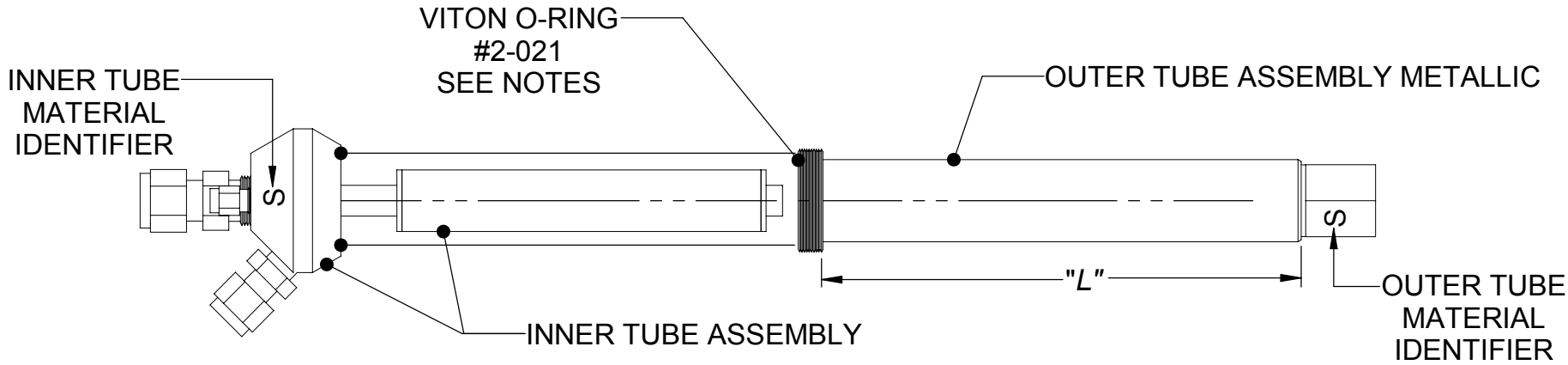
APPROX LENGTH "L"	HEAT EXCHANGER P/N	OUTER TUBE MATERIAL	UNIVERSAL ANALYZERS SERIES
5"	5200-S050	316 S.S.	400/500
5"	5200-T050	TITANIUM	400/500
5"	5200-A050	ALLOY 20	400/500
5"	5200-C050	HASTELLOY C-276	400/500
5"	5200-S05T	TEFLON COATED 316 S.S.	400/500
10"	5200-S010	316 S.S.	800/1000/1100/3000
10"	5200-T010	TITANIUM	800/1000/1100/3000
10"	5200-A010	ALLOY 20	800/1000/1100/3000
10"	5200-C010	HASTELLOY C-276	800/1000/1100/3000
10"	5200-S01T	TEFLON COATED 316 S.S.	800/1000/1100/3000

1). SEE SHEET 2 FOR ASSEMBLY INSTRUCTIONS.

A	02/09/99	REVISE P/N TABLE FOR TEFLON COATED	EAM	RD
REV	DATE	DESCRIPTION	DWN	APVD
REVISIONS				
<b>HEAT EXCHANGER METALLIC NON-TEMPERATURE SENSING OUTLINE</b>				
PART NO. SEE TABLE		FOR SEE TABLE		
<b>UNIVERSAL ANALYZERS INC.</b>				
1701 South Sutro Terrace Carson City, Nevada 89706 USA				
DRAWN BY EV MUSSELMAN		DRAWING NO		
APVD BY H. MITCHELL		<b>P0147</b>		
DATE	SCALE	SIZE	SHEET	
12/11/95	NONE	C	1 OF 2	

8 | 7 | 6 | 5 | 4 | 3 | 2 | 1

8 | 7 | 6 | 5 | 4 | 3 | 2 | 1

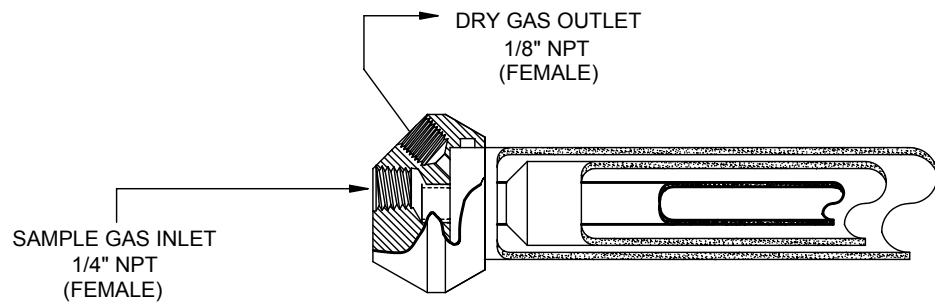
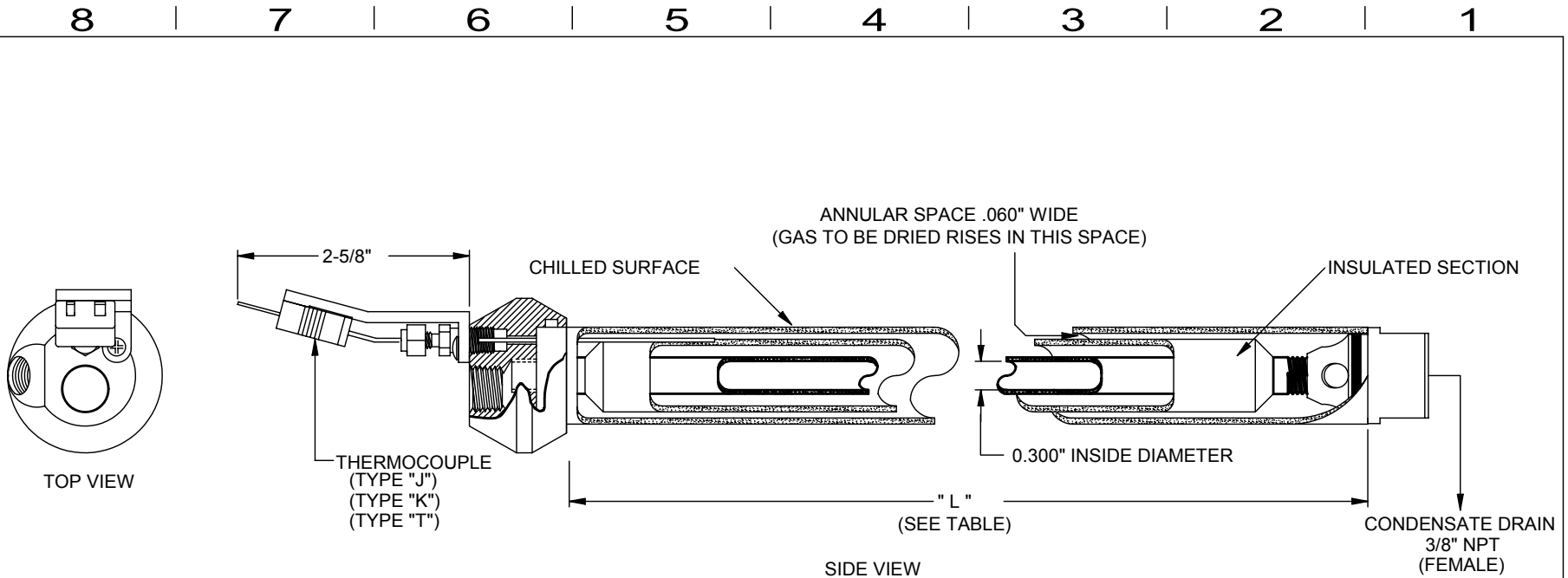


HEAT EXCHANGER SEPERABLE		SPARE PARTS LIST			
APPROX "L" LENGTH	P/N	INNER TUBE ASSY P/N	OUTER TUBE ASSY P/N	VITON O-RING #2-021 P/N	PLUG 1/16"NPT P/N
5"	5200-S050	5201-0015	5201-0012	4904-0013	4951-0058
5"	5200-T050	"	5201-0024	"	"
5"	5200-A050	"	5201-0022	"	"
5"	5200-C050	"	5201-0020	"	"
5"	5200-S05T	5201-0041	5201-0043	"	"
10"	5200-S010	5201-0016	5201-0013	4904-0013	4951-0058
10"	5200-T010	"	5201-0025	"	"
10"	5200-A010	"	5201-0023	"	"
10"	5200-C010	"	5201-0021	"	"
10"	5200-S01T	5201-0042	5201-0044	"	"

NOTES:  
 1). O-RING IS FACTORY INSTALLED IN METALLIC OUTER TUBE.  
 2). LIGHTLY LUBRICATE O-RING WITH SILICONE GREASE BEFORE ASSEMBLY.

A	02/09/99	REVISE TABLE TO INCLUDE TEFLON PARTS	EAM	RD
REV	DATE	DESCRIPTION	DWN	APVD
REVISIONS				
HEAT EXCHANGER ASSEMBLY NON-TEMPERATURE SENSING METALLIC				
PART NO. SEE TABLE		FOR INSTRUMENT		
<b>UNIVERSAL ANALYZERS INC.</b> 1701 South Sutro Terrace Carson City, Nevada 89706 USA				
DRAWN BY EV MUSSELMAN		DRAWING NO P0147		
APVD BY H. MITCHELL				
DATE 12/11/95		SCALE NONE	SIZE C	SHEET 2 OF 2

8 | 7 | 6 | 5 | 4 | 3 | 2 | 1



1). SEE SHEET 2 FOR ASSEMBLY INSTRUCTIONS.

LENGTH "L"	GLASS KYNAR HEAT EXCHANGER ASSEMBLY P/N	UNIVERSAL ANALYZERS SAMPLE COOLER MODELS
5"	5200-KK50	520
	5200-KJ50	530
	5200-KT50	540
		570
10"		1040
	5200-KK10	1050
	5200-KJ10	1060
	5200-KT10	1080
		1090
15"	5200-KK15	FGA2
	5200-KJ15	
	5200-KT15	

C	10/02/01	Add 15" Heat Exchanger Data To Table	EM	JK
REV	DATE	DESCRIPTION	DWN	APVD
REVISIONS				
<b>Glass Kynar Temperature Sensing Heat Exchanger Outline</b>				
PART NO. SEE TABLE		FOR SEE TABLE		
<b>UNIVERSAL ANALYZERS INC.</b>				
1701 South Sutro Terrace Carson City, Nevada 89706 USA				
DRAWN BY E. Mussleman		DRAWING NO P0148		
APVD BY H. Mitchell				
DATE	SCALE	SIZE	SHEET	
12/11/95	1:1	C	1 OF 2	

8

7

6

5

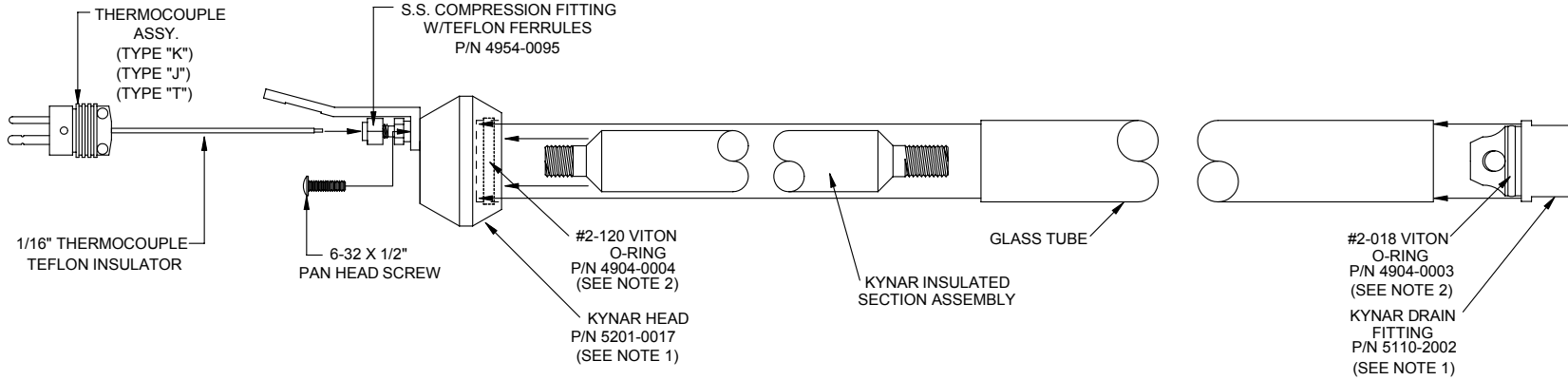
4

3

2

1

### EXPLODED GLASS KYNAR HEAT EXCHANGER



SPARE PARTS LIST						
GLASS KYNAR HEAT EXCHANGER ASSEMBLY		KYNAR INSULATED SECTION ASSEMBLY	GLASS TUBE	TYPE "K" THERMOCOUPLE	TYPE "J" THERMOCOUPLE	TYPE "T" THERMOCOUPLE
LENGTH "L"	P/N	P/N	P/N	P/N	P/N	P/N
5"	5200-KK50	5110-2003	5201-0002	1150-0011	1150-0012	1150-0013
5"	5200-KJ50	"	"	"	"	"
5"	5200-KT50	"	"	"	"	"
10"	5200-KK10	5110-2004	5201-0001	"	"	"
10"	5200-KJ10	"	"	"	"	"
10"	5200-KT10	"	"	"	"	"
15"	5200-KK15	5110-2006	5201-0078	"	"	"
15"	5200-KJ15	"	"	"	"	"
15"	5200-KT15	"	"	"	"	"

#### NOTES:

- O-RINGS ARE FACTORY INSTALLED IN KYNAR HEAD AND KYNAR DRAIN FITTING.
- LIGHTLY LUBRICATE O-RINGS WITH SILICONE GREASE BEFORE ASSEMBLY.

C	10/02/01	Add 15" Data To Parts List Table	EM	JK
REV	DATE	DESCRIPTION	DWN	APVD

#### REVISIONS

### Glass Kynar Temperature Sensing Heat Exchanger Spare Parts List Exploded Assembly

PART NO. <b>SEE TABLE</b>		FOR <b>SAMPLE COOLERS</b>	
<b>UNIVERSAL ANALYZERS INC.</b>			
1701 South Sutro Terrace Carson City, Nevada 89706 USA			
DRAWN BY E. Musselman		DRAWING NO <b>P0148</b>	
APVD BY H. Mitchell		DATE 12/11/95	SCALE 1 : 1
		SIZE B	SHEET 2 OF 2

2-56 X 1/2" PAN HEAD SCREW

### COMPLETE GLASS KYNAR HEAT EXCHANGER ASSEMBLY

7/8" WRENCH FLATS

8

7

6

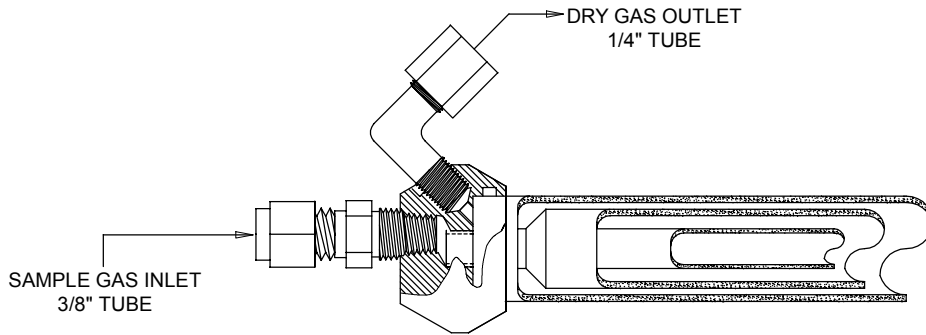
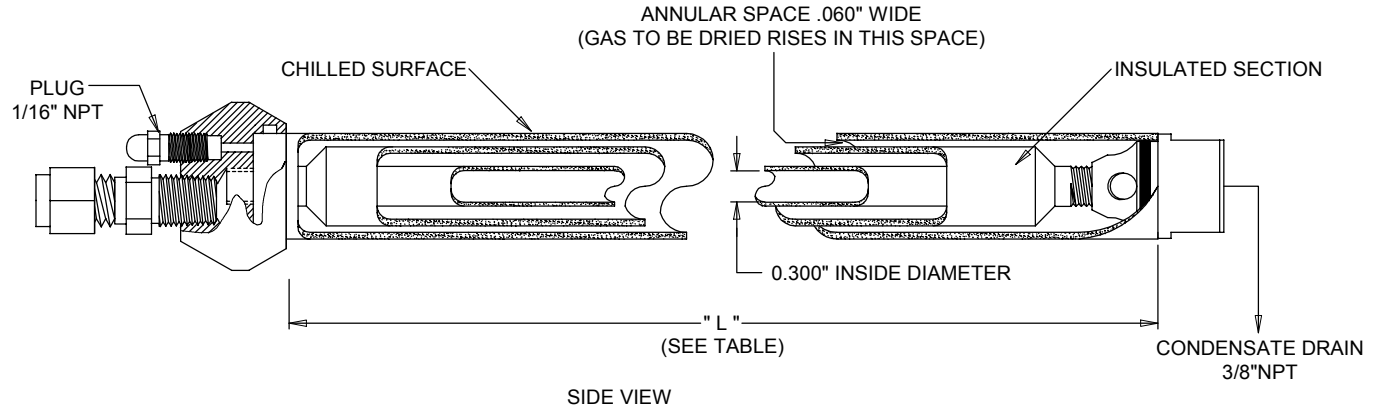
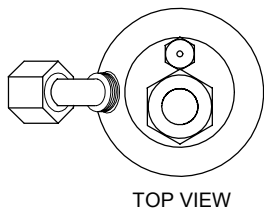
5

4

3

2

1

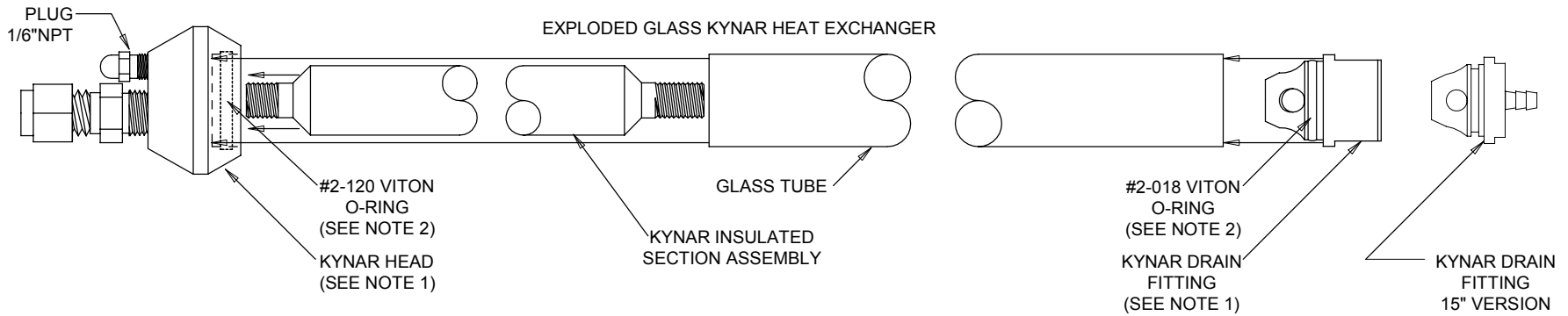


1). SEE SHEET 2 FOR ASSEMBLY INSTRUCTIONS.

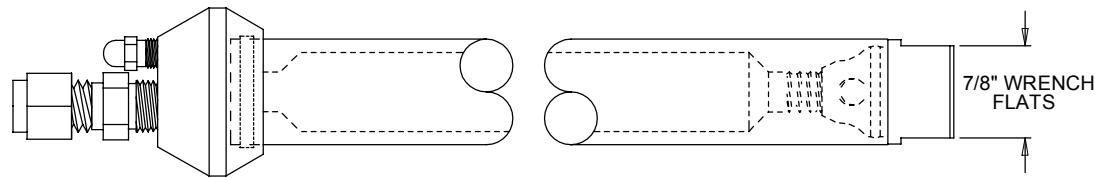
LENGTH "L"	GLASS KYNAR HEAT EXCHANGER ASSEMBLY P/N	UNIVERSAL ANALYZERS SAMPLE COOLER MODELS	QTY OF EXCHANGERS PER SAMPLE COOLER
5"	5200-K050	520	1
		530	2
		540	2
		570	4
10"	5200-K010	1040	1
		1050	2
		1060	2
		1080	2
		1090	4
15"	5200-K015	FGA2	1

REV	DATE	DESCRIPTION	DWN	APVD
C	01/19/04	Revision Per Sheet 2	RPH	TB
REVISIONS				
HEAT EXCHANGER GLASS / KYNAR NON-TEMPERATURE SENSING OUTLINE				
PART NO. SEE TABLE		FOR INSTRUMENT		
<b>UNIVERSAL ANALYZERS INC.</b> 1701 South Sutro Terrace Carson City, Nevada 89706 USA				
DRAWN BY EV MUSSELMAN		DRAWING NO P0149		
APVD BY H. MITCHELL				
DATE 12/11/95	SCALE 1:1	SIZE C	SHEET 1 OF 2	

8 | 7 | 6 | 5 | 4 | 3 | 2 | 1



SPARE PARTS LIST								
GLASS KYNAR HEAT EXCHANGER ASSEMBLY		KYNAR INSULATED SECTION ASSY	GLASS TUBE	KYNAR DRAIN FITTING	#2-120 VITON O-RING	#2-018 VITON O-RING	KYNAR HEAD	1/16" NPT PLUG
LENGTH "L"	P/N	P/N	P/N	P/N	P/N	P/N	P/N	P/N
5"	5200-K050	5110-2003	5201-0002	5110-2002	4904-0004	4904-0003	5201-0017	4951-0066
10"	5200-K010	5110-2004	5201-0001	"	"	"	"	"
15"	5200-K015	5110-2006	5201-0078	5201-0066	"	"	"	"



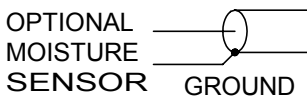
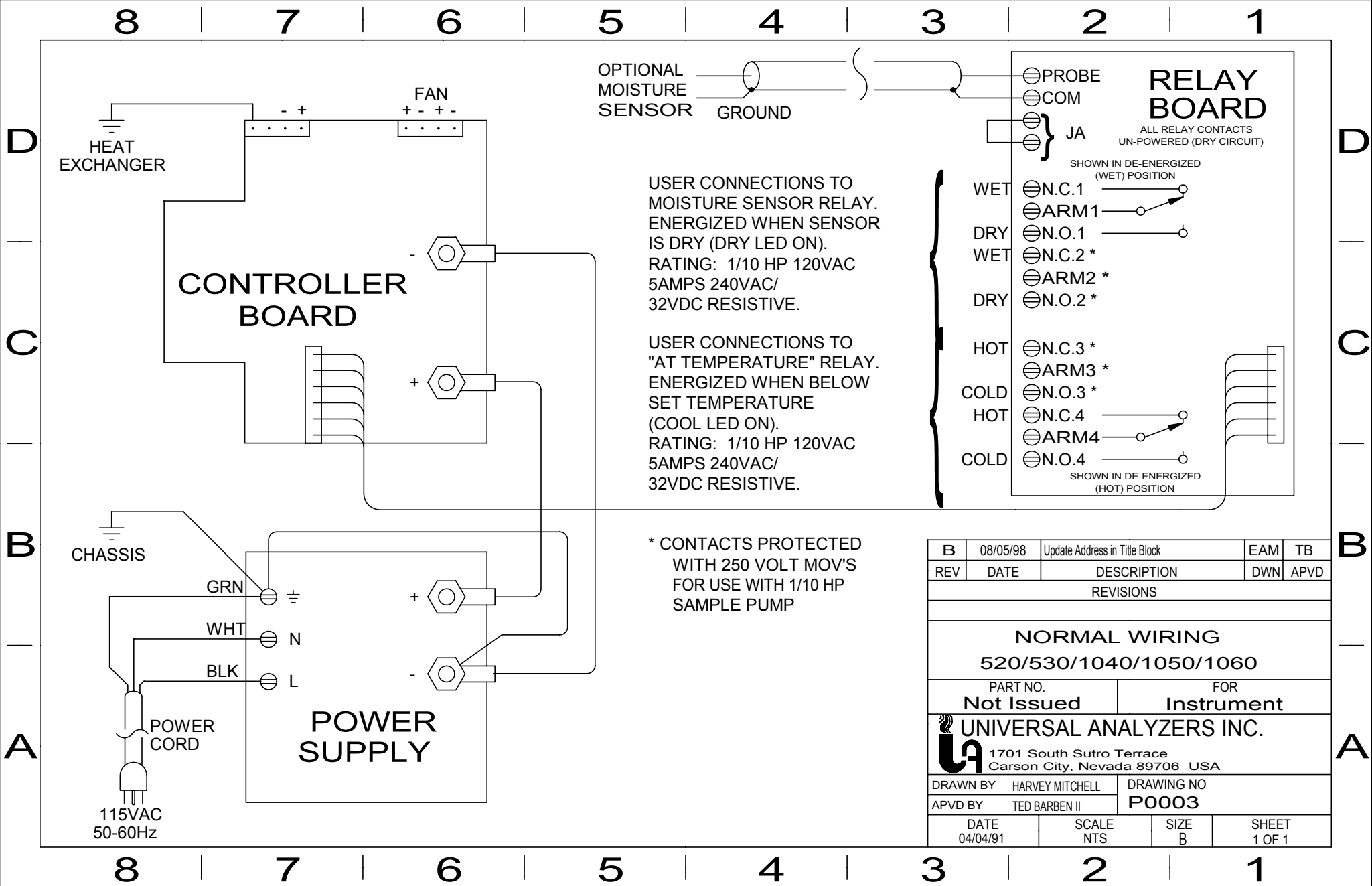
COMPLETE GLASS KYNAR HEAT EXCHANGER ASSEMBLY

NOTES:

- O-RINGS ARE FACTORY INSTALLED IN KYNAR HEAD AND KYNAR DRAIN FITTINGS
- LIGHTLY LUBRICATE O-RINGS WITH SILICONE GREASE BEFORE ASSEMBLY.

REV	DATE	DESCRIPTION	DWN	RPH	TB	APVD
C	01/19/04	Added Kynar Drain P/N for 15" Length		RPH	TB	
REVISIONS						
<b>HEAT EXCHANGER GLASS / KYNAR NON-TEMPERATURE SENSING SPARE PART INSTALLATION</b>						
PART NO. SEE TABLE			FOR INSTRUMENT			
<b>UNIVERSAL ANALYZERS INC.</b>						
1701 South Sutro Terrace Carson City, Nevada 89706 USA						
DRAWN BY EV MUSSELMAN			DRAWING NO PO149			
APVD BY H. MITCHELL						
DATE 12/11/95		SCALE 1:1		SIZE C	SHEET 2 OF 2	

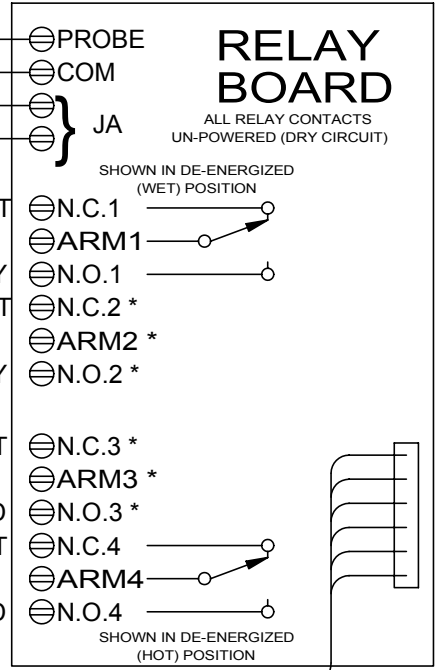
8 | 7 | 6 | 5 | 4 | 3 | 2 | 1



USER CONNECTIONS TO MOISTURE SENSOR RELAY. ENERGIZED WHEN SENSOR IS DRY (DRY LED ON). RATING: 1/10 HP 120VAC/ 5AMPS 240VAC/ 32VDC RESISTIVE.

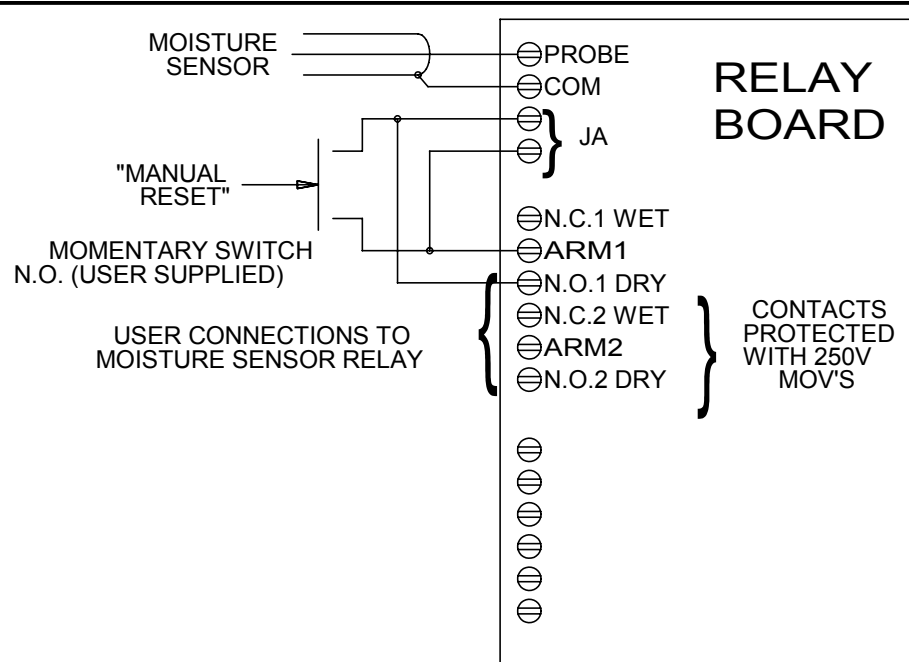
USER CONNECTIONS TO "AT TEMPERATURE" RELAY. ENERGIZED WHEN BELOW SET TEMPERATURE (COOL LED ON). RATING: 1/10 HP 120VAC/ 5AMPS 240VAC/ 32VDC RESISTIVE.

\* CONTACTS PROTECTED WITH 250 VOLT MOV'S FOR USE WITH 1/10 HP SAMPLE PUMP

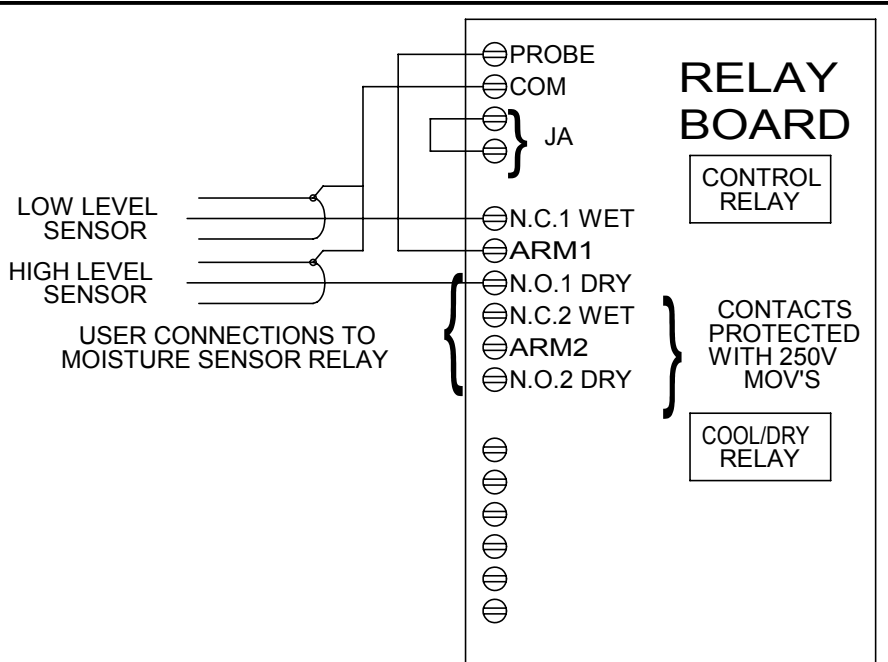


B	08/05/98	Update Address in Title Block	EAM	TB
REV	DATE	DESCRIPTION	DWN	APVD
REVISIONS				
<b>NORMAL WIRING</b>				
<b>520/530/1040/1050/1060</b>				
PART NO.		FOR		
Not Issued		Instrument		
<b>UNIVERSAL ANALYZERS INC.</b>				
1701 South Sutro Terrace Carson City, Nevada 89706 USA				
DRAWN BY HARVEY MITCHELL		DRAWING NO		
APVD BY TED BARBEN II		P0003		
DATE	SCALE	SIZE	SHEET	
04/04/91	NTS	B	1 OF 1	


8 | 7 | 6 | 5 | 4 | 3 | 2 | 1



MOISTURE SENSOR WIRING FOR  
MANUAL RESET AFTER POWER-UP AND WET CONDITION  
ACTIVATE SWITCH WHEN DRY



WIRING FOR  
HIGH/LOW MOISTURE SENSOR OPERATION

A	08/05/98	UPDATE ADDRESS IN TITLE BLOCK	EAM	TB
REV	DATE	DESCRIPTION	DWN	APVD
REVISIONS				
MOISTURE SENSOR WIRING 520 / 1040 / 1060				
PART NO. NOT ISSUED			FOR INSTRUMENT	
<b>UNIVERSAL ANALYZERS INC.</b>  1701 South Sutro Terrace Carson City, Nevada 89706 USA				
DRAWN BY HARVEY MITCHELL		DRAWING NO P0004		
APVD BY TED BARBEN II				
DATE 04/04/91	SCALE 1:1	SIZE B	SHEET 1 OF 1	

8 | 7 | 6 | 5 | 4 | 3 | 2 | 1

D

C

B

A

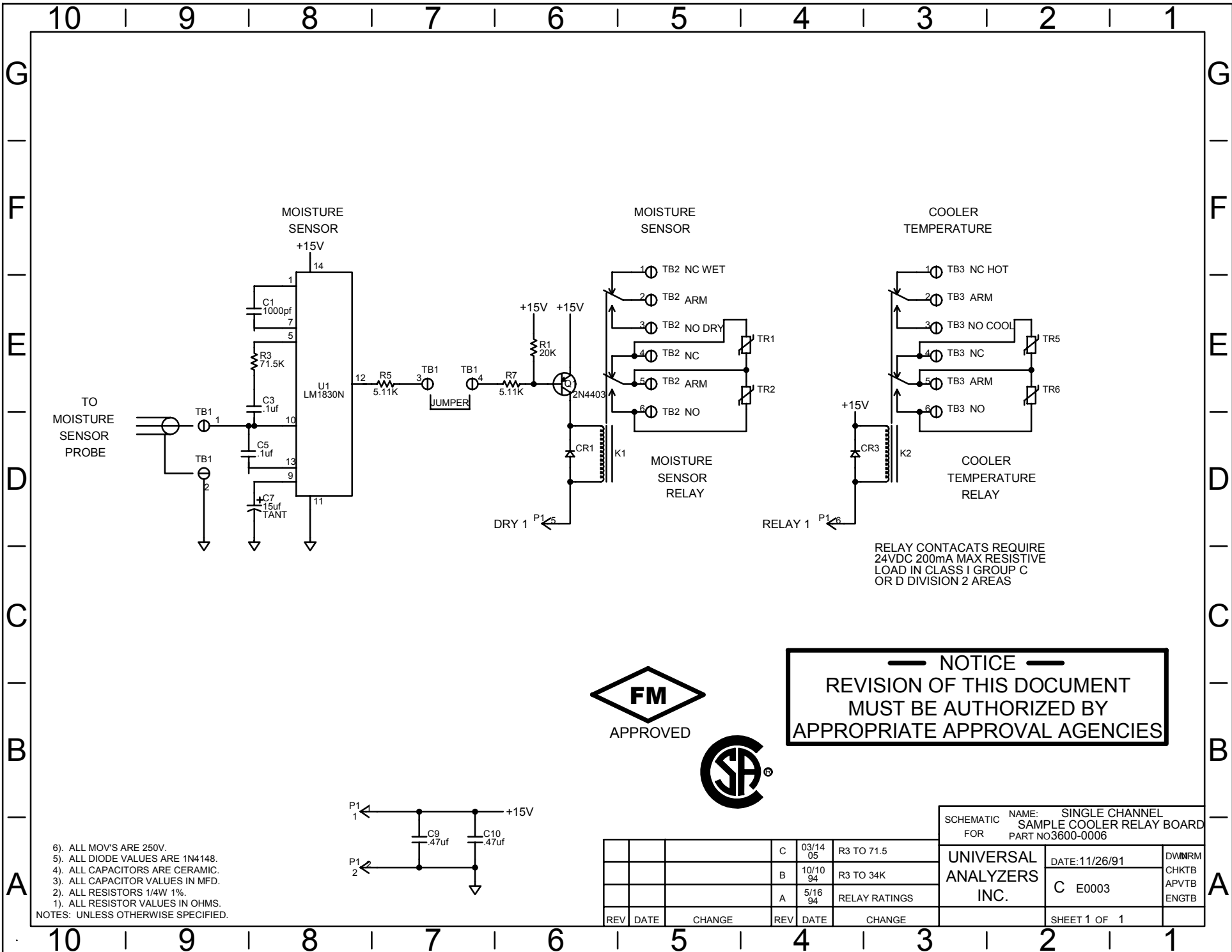
D

C

B

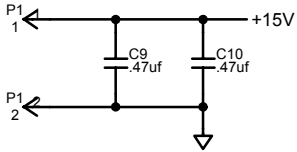
A





RELAY CONTACTS REQUIRE  
24VDC 200mA MAX RESISTIVE  
LOAD IN CLASS I GROUP C  
OR D DIVISION 2 AREAS

**— NOTICE —**  
REVISION OF THIS DOCUMENT  
MUST BE AUTHORIZED BY  
APPROPRIATE APPROVAL AGENCIES



- 6). ALL MOV'S ARE 250V.
  - 5). ALL DIODE VALUES ARE 1N4148.
  - 4). ALL CAPACITORS ARE CERAMIC.
  - 3). ALL CAPACITOR VALUES IN MFD.
  - 2). ALL RESISTORS 1/4W 1%.
  - 1). ALL RESISTOR VALUES IN OHMS.
- NOTES: UNLESS OTHERWISE SPECIFIED.

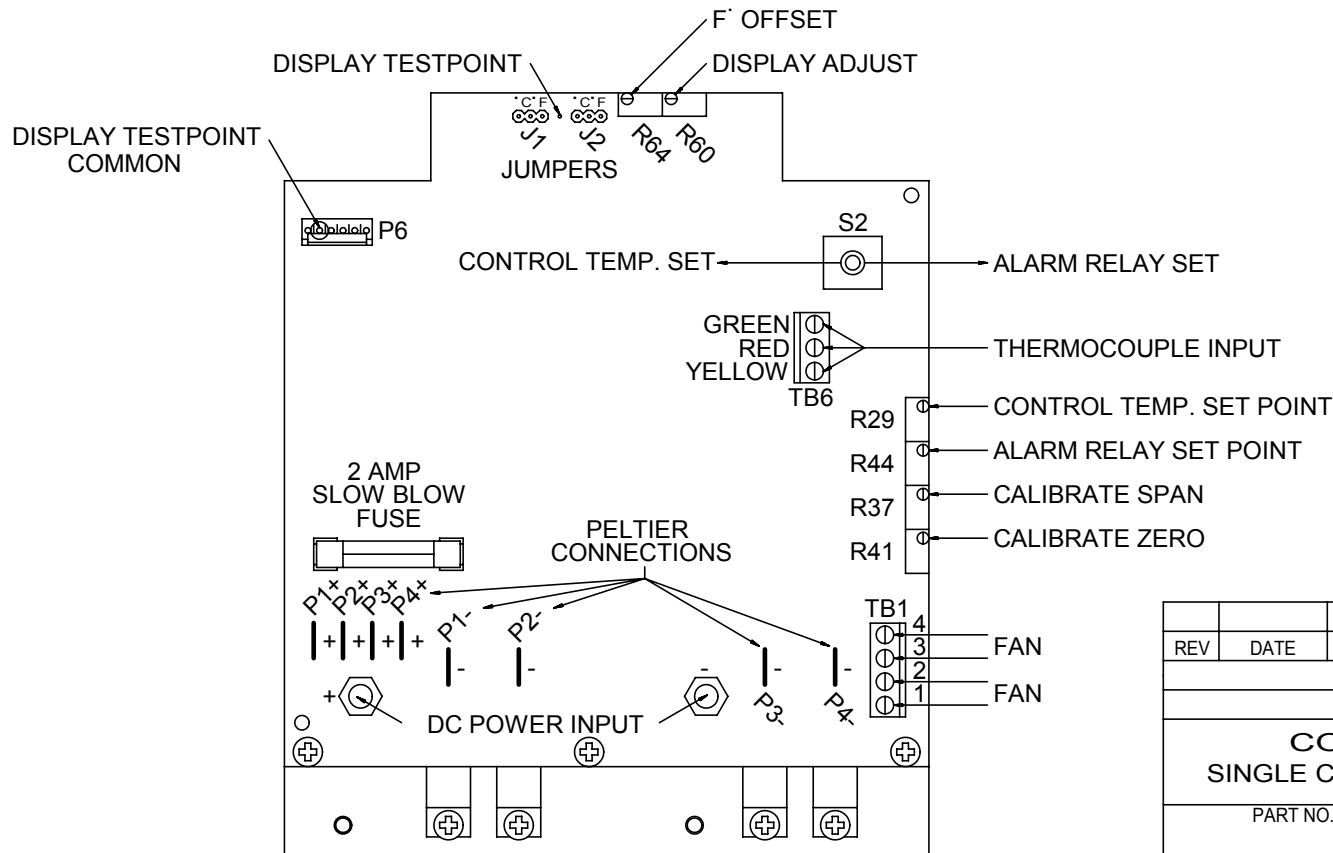
SCHMATIC NAME: SINGLE CHANNEL  
FOR SAMPLE COOLER RELAY BOARD  
PART NO3600-0006

REV	DATE	CHANGE	REV	DATE	CHANGE	<b>UNIVERSAL ANALYZERS INC.</b>	DATE: 11/26/91	DWM/RM CHK/TB APV/TB ENGTB
			C	03/14 05	R3 TO 71.5		C E0003	
			B	10/10 94	R3 TO 34K			
			A	5/16 94	RELAY RATINGS			
							SHEET 1 OF 1	

8 | 7 | 6 | 5 | 4 | 3 | 2 | 1

D

D



C

C

B

B

A

A

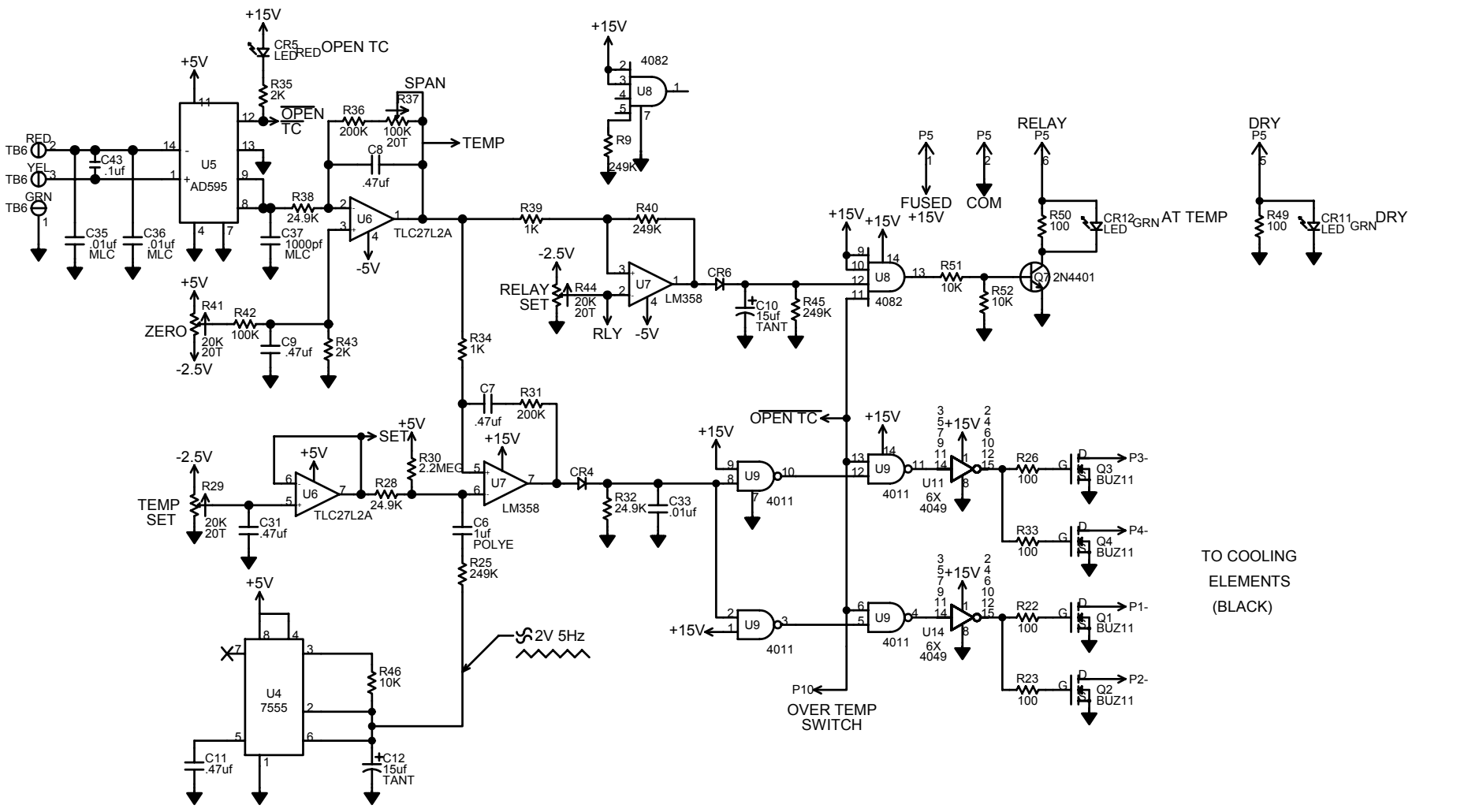
8 | 7 | 6 | 5 | 4 | 3 | 2 | 1

REV	DATE	DESCRIPTION	DWN	APVD
REVISIONS				
<b>CONTROL BOARD</b>				
<b>SINGLE CHANNEL SAMPLE COOLERS</b>				
PART NO.		FOR		
<b>UNIVERSAL ANALYZERS INC.</b>				
1701 S. Sutro Terrace Carson City, Nevada 89706 USA				
DRAWN BY HARVEY MITCHELL		DRAWING NO		
APVD BY		<b>P0023</b>		
DATE 7/28/92	SCALE 1:1	SIZE B	SHEET 1 OF 1	

10 | 9 | 8 | 7 | 6 | 5 | 4 | 3 | 2 | 1

G  
F  
E  
D  
C  
B  
A

G  
F  
E  
D  
C  
B  
A



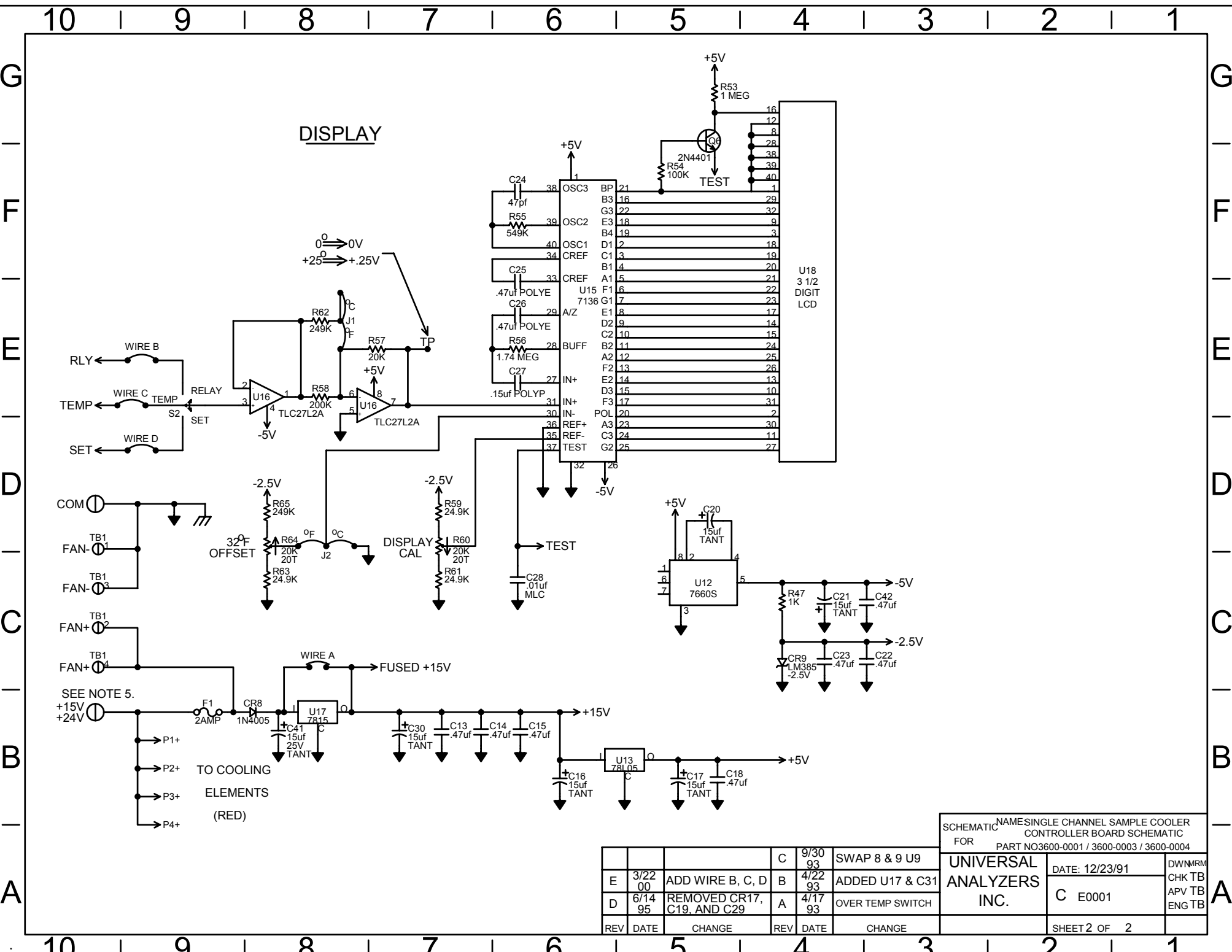
TO COOLING  
ELEMENTS  
(BLACK)

- 5). +15 VOLTS INPUT: INSTALL "WIRE A"  
+24 VOLTS INPUT: INSTALL U17 AND C41.
  - 4). 520 USES Q4 ONLY.  
1040 USES Q2 AND Q4 ONLY.  
1060 USES Q1, Q2, Q3, AND Q4.
  - 3). ALL DIODES ARE 1N4148.
  - 2). ALL CAPACITORS ARE MLC.
  - 1). ALL RESISTORS ARE 1/4W, 1%, 50ppm/°C
- NOTES: UNLESS OTHERWISE SPECIFIED.

SCHEMATIC NAME: SINGLE CHANNEL SAMPLE COOLER CONTROLLER BOARD SCHEMATIC		FOR PART NO. 3600-0001 / 3600-0003 / 3600-0004	
UNIVERSAL ANALYZERS INC.	DATE: 12/23/91	DWNMRM	
	C E0001	CHK TB	
SHEET 1 OF 2		APV TB	
		ENG TB	

REV	DATE	CHANGE	REV	DATE	CHANGE
E	3/22/00	ADD C43/CHANGE C31 TO C41	C	9/30/93	SAWP 8 & 9 U9
D	6/14/95	REMOVED CR17, C29, AND C19	B	4/22/93	ADDED U17 & C31
			A	4/17/93	OVER TEMP SWITCH

10 | 9 | 8 | 7 | 6 | 5 | 4 | 3 | 2 | 1



**DISPLAY**

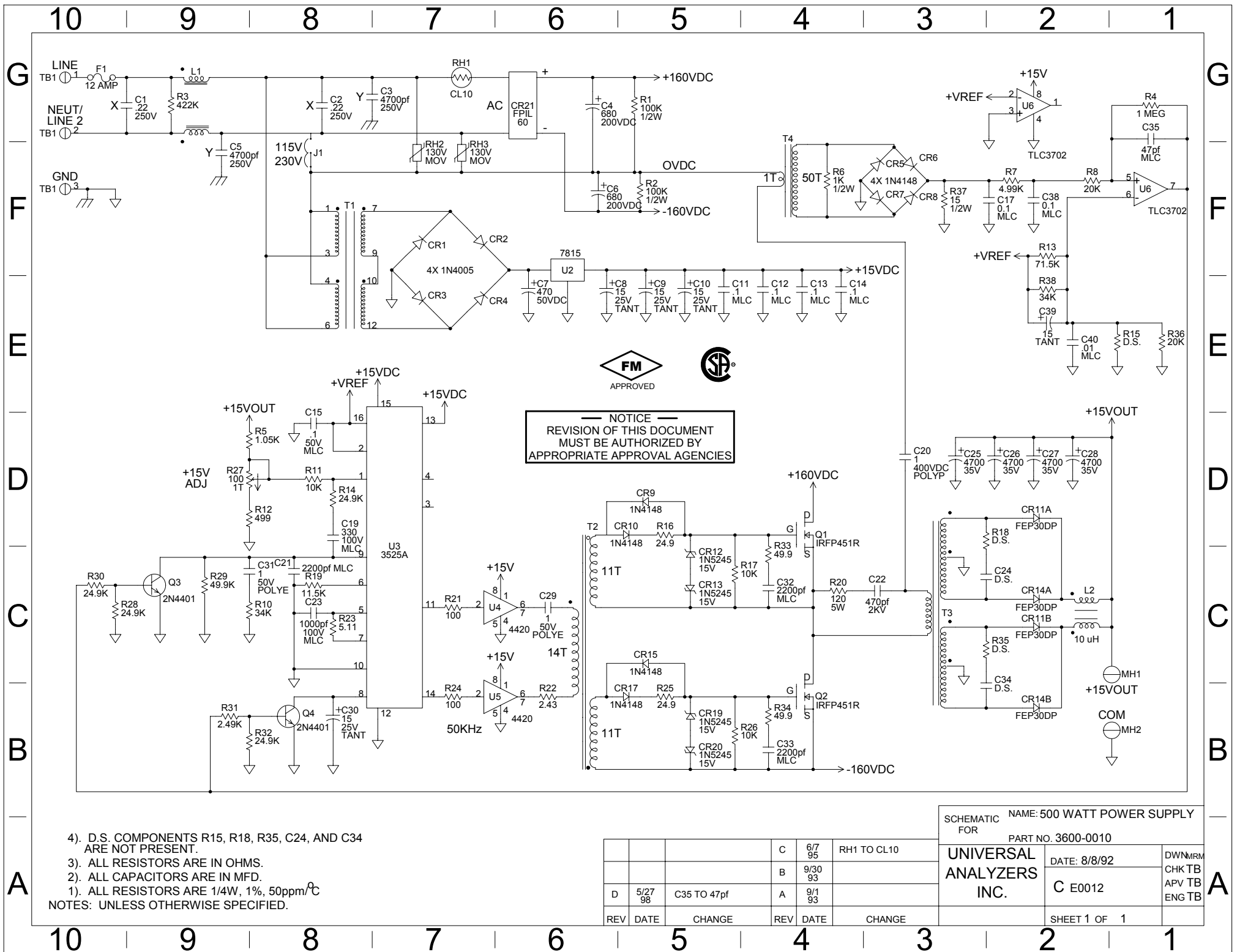
SCHMATIC NAMES SINGLE CHANNEL SAMPLE COOLER CONTROLLER BOARD SCHEMATIC FOR PART NO3600-0001 / 3600-0003 / 3600-0004

REV	DATE	CHANGE	REV	DATE	CHANGE
E	3/22/00	ADD WIRE B, C, D	C	9/30/93	SWAP 8 & 9 U9
D	6/14/95	REMOVED CR17, C19, AND C29	B	4/22/93	ADDED U17 & C31
			A	4/17/93	OVER TEMP SWITCH

UNIVERSAL ANALYZERS INC.	DATE: 12/23/91	DWN MRM
	C E0001	CHK TB
SHEET 2 OF 2		APV TB
		ENG TB

A

A




  
 — NOTICE —  
 REVISION OF THIS DOCUMENT  
 MUST BE AUTHORIZED BY  
 APPROPRIATE APPROVAL AGENCIES

- NOTES: UNLESS OTHERWISE SPECIFIED.
- 1). ALL RESISTORS ARE 1/4W, 1%, 50ppm/°C
  - 2). ALL CAPACITORS ARE IN MFD.
  - 3). ALL RESISTORS ARE IN OHMS.
  - 4). D.S. COMPONENTS R15, R18, R35, C24, AND C34 ARE NOT PRESENT.

REV	DATE	CHANGE	REV	DATE	CHANGE
D	5/27/98	C35 TO 47pf	A	9/1/93	
			B	9/30/93	
			C	6/7/95	RH1 TO CL10

SCHEMATIC NAME: 500 WATT POWER SUPPLY FOR

PART NO. 3600-0010

<b>UNIVERSAL ANALYZERS INC.</b>	DATE: 8/8/92	DWN/RRM
	C E0012	CHK TB
		APV TB
SHEET 1 OF 1		ENG TB

# Universal Analyzers Inc.

## SPARE PARTS RECOMMENDATIONS FOR MODEL 1040

<b><u>Level A, Consumable Parts (All Models):</u></b>		<b><u>2 Yr Req.</u></b>
3010-0003	Fuse, Control Board – 2 Amp Slow Blow	2
3010-0005	Fuse, Power Supply Board – 6 Amp Slow Blow	2
<b><u>Level B, Basic Parts (Model 1040SS):</u></b>		
5200-S010	Heat Exchanger/Impinger – 316S.S. 10 Inch	
4904-0013	O-Ring, 316S.S. Heat Exchanger – Viton 2-021	2
8010-0001	Paste, Heat Sinking - 0.1 Ounce Container	2
9515-0040	Ambient Heat Exchanger Conversion Kit (Converts the Model 1040SS to a Model 1050SS)	
<b><u>Level B, Basic Parts (Model 1040PV):</u></b>		
5200-K010	Heat Exchanger/Impinger – Glass/Kynar 10 Inch	
5201-0001	Glass Tube, Outer – Heat Exchanger Replacement 10 Inch	1
4904-0003	O-Ring, Glass/Kynar Heat Exchanger – Viton 2-018	2
4904-0004	O-Ring, Glass/Kynar Heat Exchanger – Viton 2-120	2
8010-0001	Paste, Heat Sinking - 0.1 Ounce Container	2
9515-0041	Ambient Heat Exchanger Conversion Kit (Converts the Model 1040PV to a Model 1050PV)	
<b><u>Level C, Critical Parts (All Models):</u></b>		
3016-0002	Peltier Element, Pair - 15Vdc 8.5 Amp 40mm Sq.	
9515-0002	Insulation Kit - Heat Transfer Block	
1150-0016	Thermocouple, Type “K” - Peltier Control	1
4800-0003	Fan, Heat Sink Cooling	
4800-0005	Fan, Power Supply Cooling	
<b><u>Level D, In-Depth Parts (All Models):</u></b>		
3600-0003	Controller Circuit Board - Single Channel	
3600-0006	Alarm Relay Circuit Board - Single Channel	
3600-0039	Power Supply Board - 15Vdc 250 Watt	
<b><u>Optional Parts:</u></b>		
4958-0003	Motor, Peristaltic Pump - 120Vac 6RPM	1
4958-0006	Head, Peristaltic Pump - For #15 Tubing	
4958-0025	Sample Pump - 120Vac Mini Dia-Vac Alum/Teflon Single Head	
4980-0005	WCOF Assembly - Visible Moisture Sensor/2µm Teflon Filter	
5205-0006	Bowl, WCOF Filter - Replacement with Cable	
4980-0006*	Filter Element - 2µm Teflon (WCOF)	6
9216-0002	Tube, Peristaltic Pump - 5 Feet Length #15	2
9515-0018	Sample Pump Rebuild Kit - Mini Dia-Vac	3
9515-0046	Thermocouple Kit, Heat Exchanger - “New Jersey” Type “K”	

\* Commissioning Spare Part

# UNIVERSAL ANALYZERS INC.

## MOISTURE CONVERSION TABLE

DEW POINT, DEGREES C.	% WATER BY VOLUME AT SATURATION	% WATER BY WEIGHT AT SATURATION	WATER VAPOR PRESSURE, mm. Hg
-100	0.00000139	0.00000081	0.0000099
-50	0.00388	0.00241	0.0295
-20	0.102	0.0633	0.776
-10	0.256	0.1596	1.950
-5	0.396	0.229	3.014
-4	0.432	0.268	3.280
-3	0.469	0.291	3.569
-2	0.510	0.317	3.880
1	0.555	0.345	4.223
0	0.602	0.364	4.579
1	0.649	0.404	4.937
2	0.696	0.433	5.294
3	0.750	0.466	5.70
4	0.803	0.499	6.10
5	0.861	0.535	6.54
6	0.922	0.573	7.01
7	0.988	0.614	7.51
8	1.06	0.658	8.05
9	1.13	0.702	8.58
10	1.21	0.753	9.15
11	1.29	0.802	9.8
12	1.38	0.860	10.5
13	1.48	0.920	11.2
14	1.58	0.980	12.0
15	1.68	1.044	12.8
20	2.31	1.433	17.5
25	3.13	2.004	23.8
30	4.19	2.64	
35	5.55	3.54	
40	7.28	4.67	
45	9.46	6.12	
50	12.2	8.0	
55	15.5	10.3	
60	19.7	13.3	
65	24.4	16.8	
70	30.7	21.7	
75	38.0	27.8	
80	46.7	35.6	
85	57.2	45.7	
90	69.2	58.4	