

Design and Application Details

Principle of Operation

As shown in the block diagram below, the SMARTLINK™ Intelligent Valve Actuator is driven by a position command signal via a 4-20mA signal from the user's process controller. (A 4mA signal will drive the valve to its minimum position and a 20mA signal will drive the valve to its maximum position.) The position command signal is translated by the Control Interface into a digital command that is sent to the valve over a dedicated communications network. The Valve Actuator performs a high-speed position control loop to achieve the position setpoint received from the Control Interface. The valve position is continuously transmitted digitally by the Valve Actuator back over the communications network to the Control Interface. The digitally received valve position feedback is then translated by the Control Interface into a 4-20mA output signal for PLC monitoring if required.

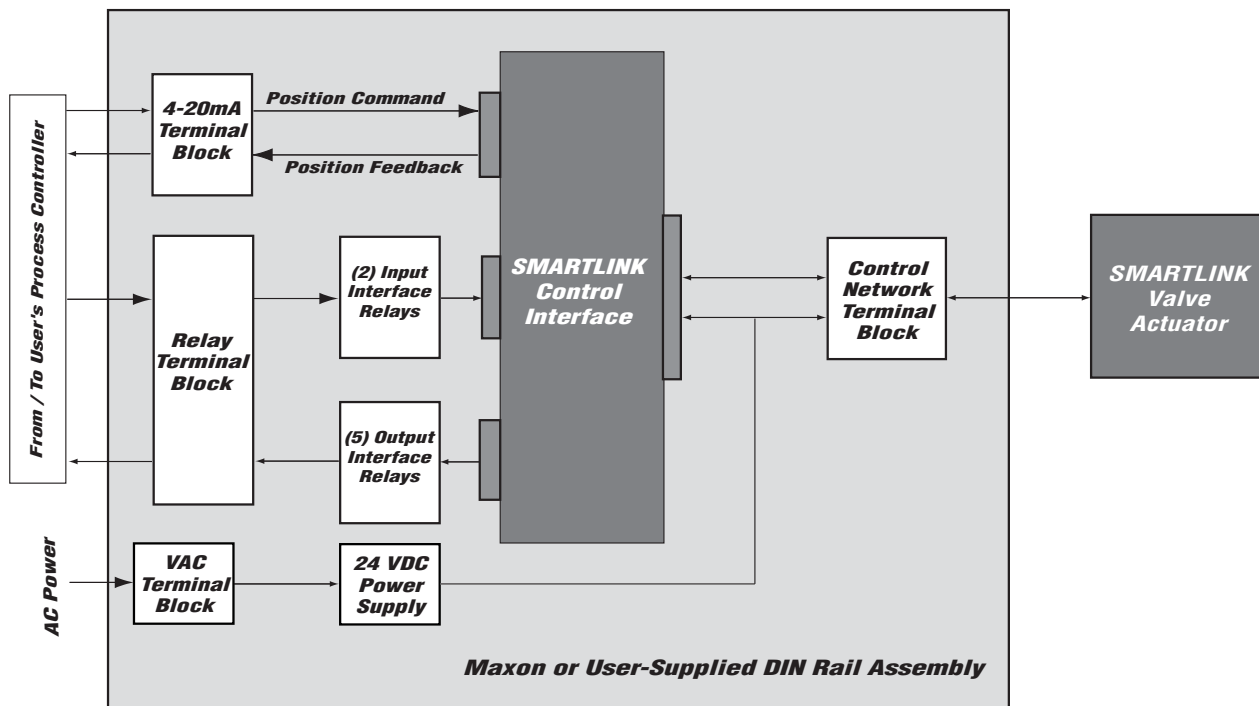
The SMARTLINK™ Control Interface includes a set

of switches and lights to allow the user to perform the following functions:

- 1) Configure operating parameters, such as loss of signal operation and high/low position limits,
- 2) Display alarm codes,
- 3) "Lock" the device electronically to prevent tampering,
- 4) Customize the installed valve characteristic, and,
- 5) Locally control valve movement.

The communications network between the Valve Actuator and the Control interface is composed of 4 wires: 24VDC, Common, Data-A, and Data-B. The Control Interface continuously monitors Valve Actuator status over the digital network, and updates several relay driver outputs. These outputs are used to drive optional (Maxon or user-supplied) interface relays for control enable, alarm, manual control, and high/low position limit indication.

SMARTLINK™ Valve Actuator Assembly Block Diagram



NOTES:

1. Non-shaded blocks indicate optional Maxon-supplied equipment
2. Shaded blocks indicate SMARTLINK required components

Table of Contents

Butterfly Valves:

Model Number Description 7307
Capacities and Specifications 7308
Dimensions 7312

Ball Valves:

Model Number Description 7319
Capacities and Specifications 7321
Dimensions 7323

Control Actuator:

Model Number Description 7326
Dimensions 7327

Spare Actuator:

Model Number Description 7328

Control Interface:

Model Number Description 7329
Dimensions 7330

Model Number Description Butterfly Valves

The model number shown on the valve nameplate can accurately identify every Maxon SMARTLINK™ Butterfly Valve. The example below shows a typical SMARTLINK™ Butterfly Valve model number, along with the available choices for each item represented in

the model number. The first three choices determine the valve's configured item number. The next eight characters in the model number identify valve body and actuator options.

Configured Item Number			Valve Body				Actuator				
Valve Size	Flow Capacity	Series	Body Connection	Body Seals	Body Material	Body Internals	Torque Rating	Software Version	Language		
0100	S	SLCV	-	A	A	1	1	-	1	1B	A

Size

- 0100 - 1"
- 0125 - 1.25"
- 0150 - 1.5"
- 0200 - 2"
- 0250 - 2.5"
- 0300 - 3"
- 0400 - 4"
- 0600 - 6"
- 0800 - 8"
- 1000 - 10"
- 1200 - 12"
- 1400 - 14"
- 1600 - 16"

Flow Capacity

- S - Standard

Series

- SLCV - SMARTLINK Butterfly Valve

Body Connection

- A - ANSI Flange
- M - "M" Style Flange
- X - Special
- * - Actuator Only

Body Seals

- A - Buna-N
- B - Viton
- X - Special
- * - Actuator Only

Body Material

- 1 - Cast Iron
- 2 - Carbon Steel
- 3 - Brass
- 5 - Stainless Steel
- X - Special
- * - Actuator Only

Body Internals

- 1 - Trim Package 1
- 2 - Trim Package 1, Oxy Clean
- 5 - Trim Package 2
- 6 - Trim Package 2, Oxy Clean
- X - Special
- * - Actuator Only

Torque Rating

- 1 - 300 in-lbs
- X - Special
- * - Valve Body Only

Software Version [1]

- V1 - Version 1
- 1A - Version 1A
- 1B - Version 1B
- XX - Special
- ** - Valve Body Only

Language

- A - English
- X - Special
- * - Valve Body Only

[1] The latest version is the default; proper version must be specified for replacement items

Trim Package Options and Typical Materials:

- 1 - 300 Series Stainless Steel stem, 300 Series Stainless Steel disc and Bronze bushings
- 2 - 300 Series Stainless Steel stem, 300 Series Stainless Steel disc and PEEK bushings

Valve Body Capacities Butterfly Valves

Butterfly Valve Body Performance Table - 1" thru 4"

Size	Minimum Controllable Cv Rating	Maximum Cv Rating	Maximum Inlet Pressure (psig)	Maximum Body Pressure (psig)	Maximum Fluid Temperature (see note 1)	
					Iron & Steel (°F)	Brass (°F)
1"	.50	27	100	100	250	400
1.25"	.60	70	100	100	250	400
1.5"	.70	105	100	100	250	400
2"	1.30	190	100	100	250	400
2.5"	2.40	260	90	100	250	400
3"	3.00	360	60	100	250	400
4"	5.00	750	30	100	250	---

Note 1: Temperatures listed depict limitations of valve body components only. If fluid temperature is greater than 158°F, contact Maxon when applying SMARTLINK™ Actuator to valve body assembly.

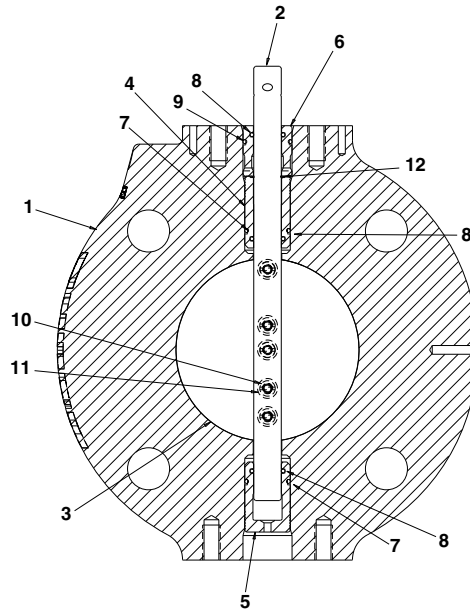
Butterfly Valve Body Performance Table - 6" thru 16"

Size	Minimum Controllable Cv Rating	Maximum Cv Rating	Maximum Inlet Pressure (psig)	Maximum Body Pressure (psig)	Maximum Fluid Temperature (°F) (see note 1)
6"	12.5	1425	5	100	250
8"	22	2500	5	100	250
10"	35	4500	5	100	250
12"	50	6400	5	100	250
14"	67	8800	5	100	250
16"	88	11700	5	100	250

Note 1: Temperatures listed depict limitations of valve body components only. If fluid temperature is greater than 158°F, contact Maxon when applying SMARTLINK™ Actuator to valve body assembly.

Valve Body Assembly Specifications

Butterfly Valves



Body Materials

Item No.	Description	Material Code			
		1	2	3	5
1	Valve Body	Cast Iron ASTM A159 Gr. 3000	Carbon Steel ASTM A216 Gr. WCB	Brass ASTM B62 UNS No. C83600	Stainless Steel ASTM A351 Gr. CF8M

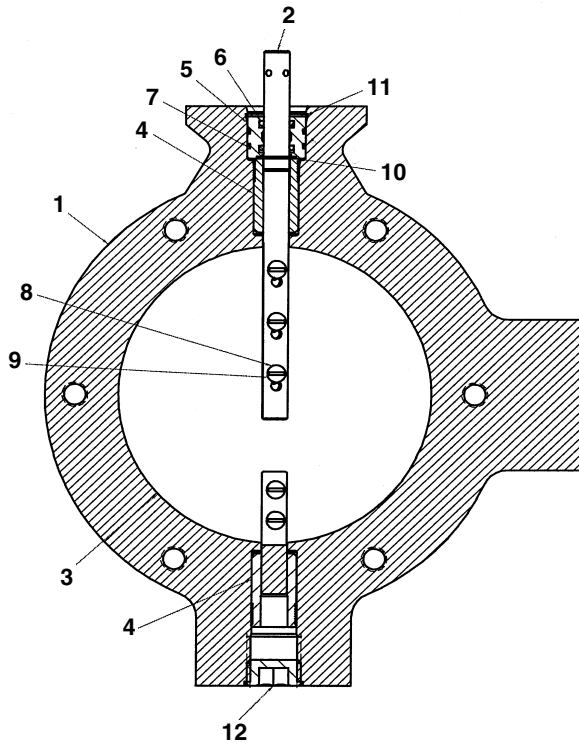
Body Seals

Item No.	Description	Material
7	O-Ring	Standard material options are Buna-N and Viton
8	O-Ring	
9	O-Ring	

Trim Package Materials

Item No.	Description	Internal Trim Package	
		1	2
2	Valve Stem	303 Stainless Steel, ASTM A157 Gr. G3000	
3	Butterfly Disc	304 Stainless Steel, ASTM A240 Type 304 UNS No. S30400	
4	Top Bushing	Bronze ASTM B271, B505 and B584 UNS No. C93200	PEEK
5	Bottom Bushing		
6	Top Shim Bushing		
10	Screw	18-8 Stainless Steel	
11	Washer	304 Stainless Steel	
12	Retaining Ring	316 Stainless Steel	

Valve Body Assembly Specifications Butterfly Valves



Body Materials

Item No.	Description	Material Code
		1
1	Valve Body	Cast Iron ASTM A159 Gr. 3000

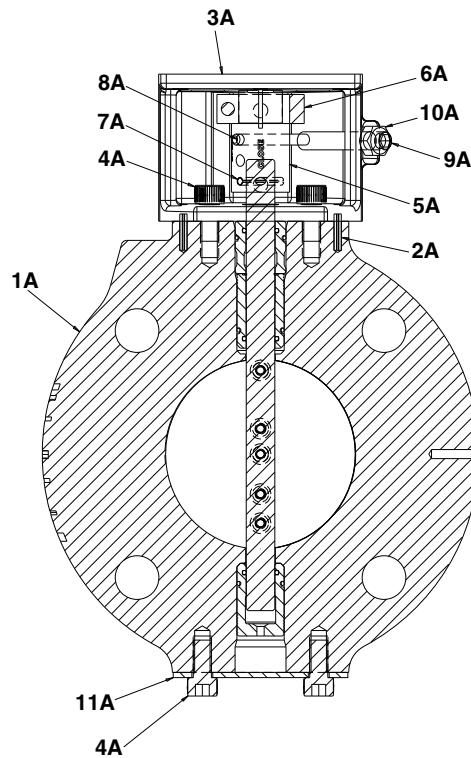
Body Seals

Item No.	Description	Material
6	O-Ring	Standard material option is Buna-N
7	O-Ring	

Trim Package Materials

Item No.	Description	Internal Trim Package 1	
		6" & 8"	10" through 16"
2	Valve Stem	316 Stainless Steel ASTM A276	
3	Butterfly Disc	304 Stainless Steel ASTM A167 UNS No. S304000	Carbon Steel ASTM A108 UNS No. G10180
4	Top & Bottom Bushing	Bronze ASTM B271, B505 and B584 UNS No. C93200	
5	Shim Bushing		
8	Screw	304 Stainless Steel	Zinc Plated Carbon Steel
9	Washer	316 Stainless Steel	Zinc Plated Carbon Steel
10	Retaining Ring	Carbon Steel SAE 1060-1090 UNS No. G10600-G10900	
11	Retaining Ring		
12	Pipe Plug	Alloy Steel ASTM A322 UNS G40370	

Valve Body Assembly Specifications Butterfly Valves



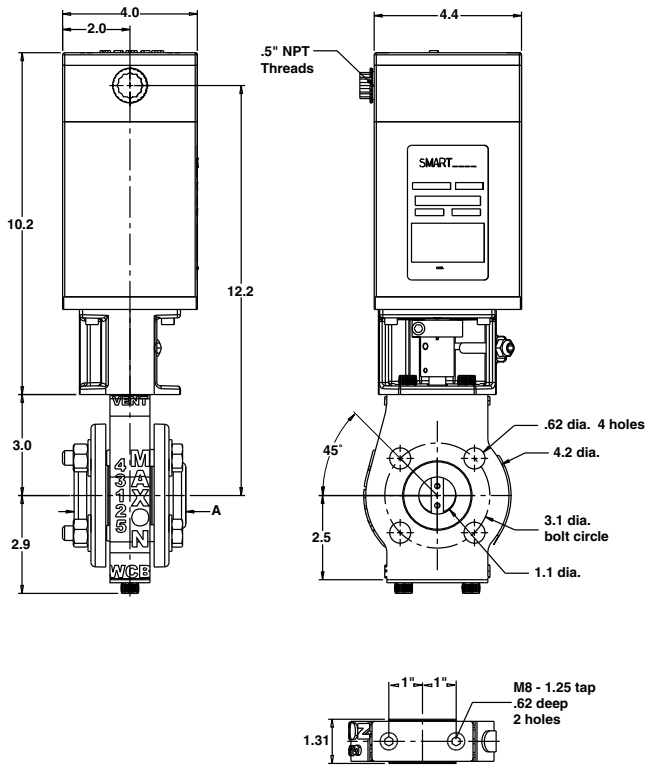
SMARTLINK Valve Body Assembly Material Specifications

Item No.	Description	SMARTLINK Component Material Specifications
1A	Valve Body Sub-assembly	Assembly per pages 7310 & 7311
2A	Locating Spring Pin	Zinc Plated Carbon Steel
3A	Adapter Bracket	ASTM B179 T6 Aluminum
4A †	Socket Head Cap Screw	Zinc Plated Carbon Steel
5A	Coupling	ASTM A582 Type 303 Stainless Steel
6A	Locking Collar	Zinc Plated Alloy Steel
7A	Spring Pin	Zinc Plated Carbon Steel
8A	Dowel Pin	303 Stainless Steel
9A	Hard Stop Screw	18-8 Stainless Steel
10A	Hard Stop Nut	Stainless Steel
11A †	Cover Plate	Aluminum

† - These items used only on sizes 1" thru 4"

Dimensions (in inches)

1" SMARTLINK™ Butterfly Valve

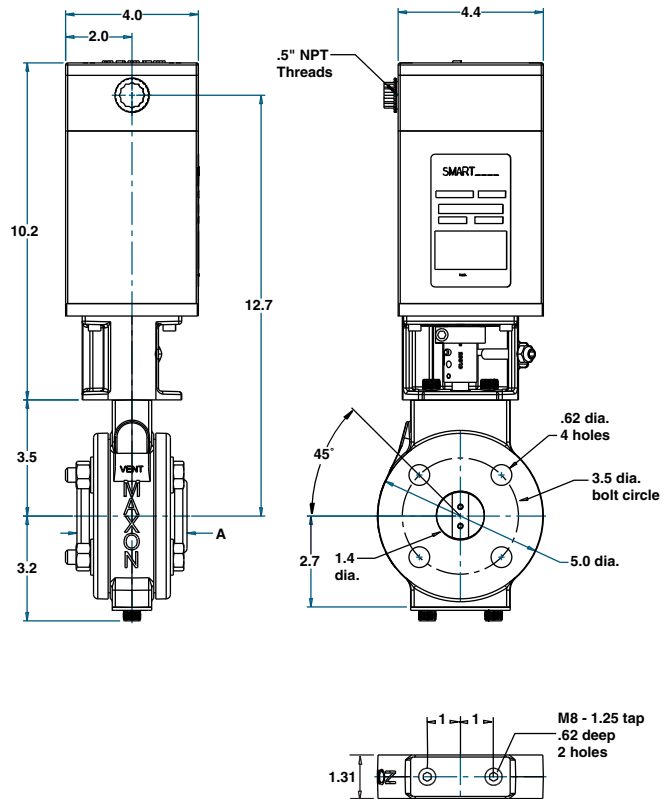


Flange Dimension "A"

Iron	Threaded	2.87
	Threaded	3.15
Steel	Socket Welded	2.84
	Threaded	2.81
Brass	Solder Cup	3.51

Approximate weight: 22 lbs, w/flanges 26 lbs

1.25" SMARTLINK™ Butterfly Valve



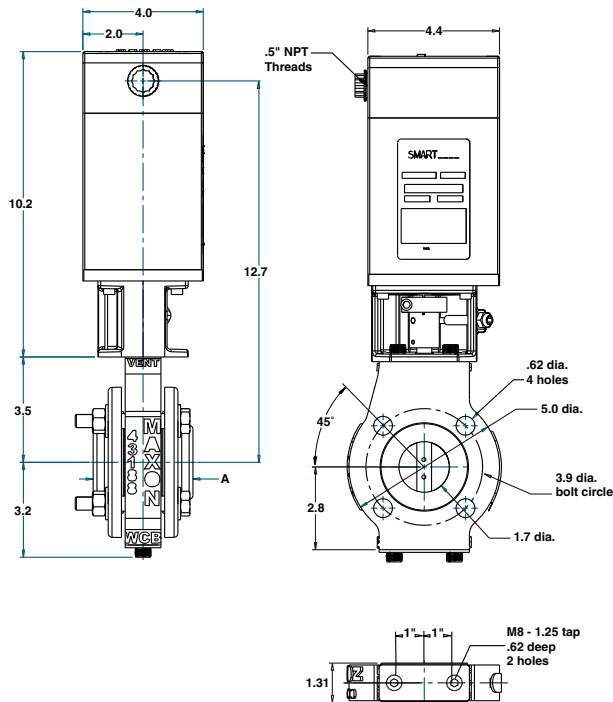
Flange Dimension "A"

Iron	Threaded	3.05
	Threaded	3.12
Steel	Socket Welded	3.05
	Threaded	3.05
Brass	Solder Cup	3.63

Approximate weight: 25 lbs, w/flanges 29 lbs.

Dimensions (in inches)

1.5" SMARTLINK™ Butterfly Valve

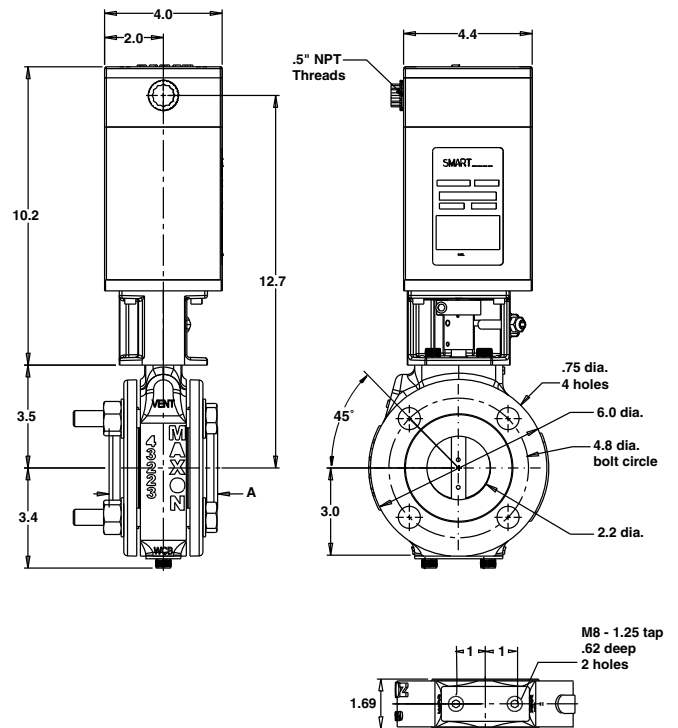


Flange Dimension "A"

Iron	Threaded	3.27
	Socket Welded	3.24
Steel	Threaded	3.23
	Socket Welded	3.24
Brass	Threaded	3.15
	Solder Cup	3.88

Approximate weight: 28 lbs, w/flanges 34 lbs

2" SMARTLINK™ Butterfly Valve



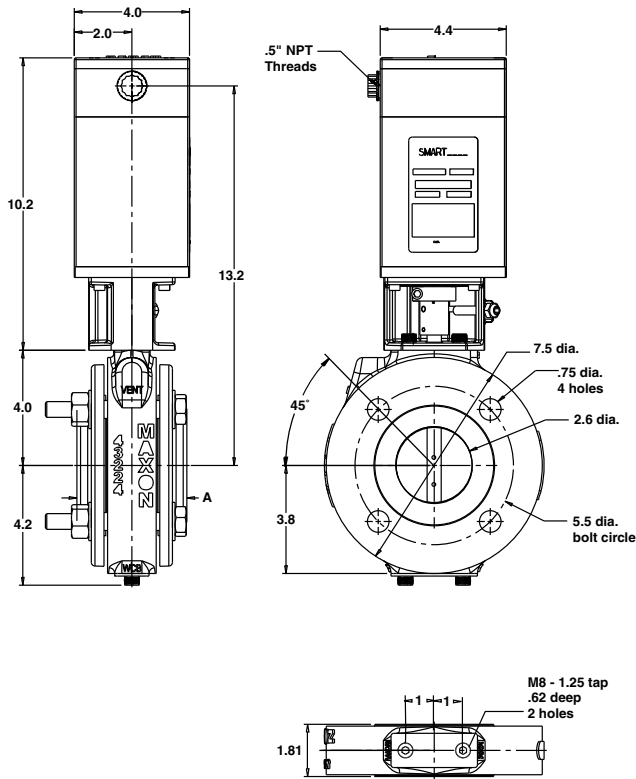
Flange Dimension "A"

Iron	Threaded	3.43
	Socket Welded	3.51
Steel	Threaded	3.56
	Socket Welded	3.51
Brass	Threaded	3.72
	Solder Cup	4.62

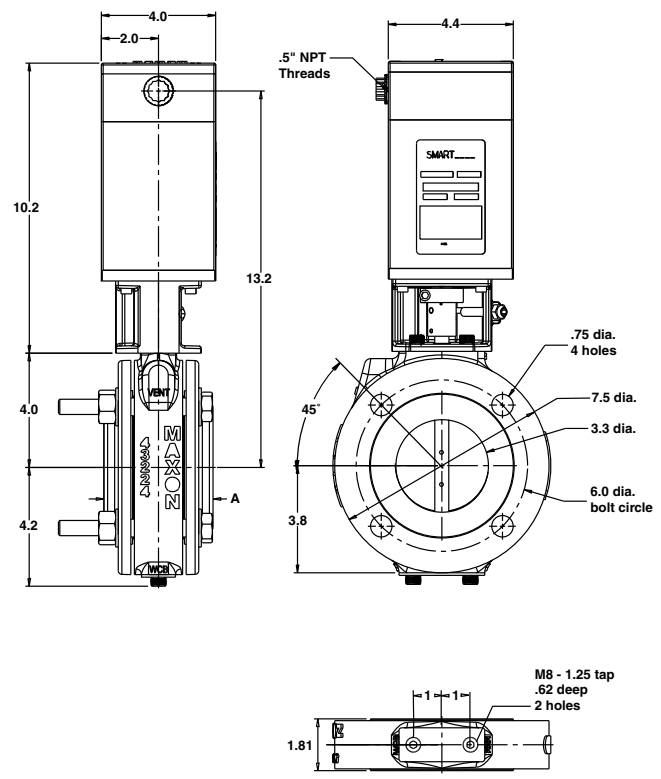
Approximate weight: 31 lbs, w/flanges 39 lbs.

Dimensions (in inches)

2.5" SMARTLINK™ Butterfly Valve



3" SMARTLINK™ Butterfly Valve



Flange Dimension "A"

Iron	Threaded	3.72
	Socket Welded	3.79
Steel	Threaded	3.67
	Socket Welded	3.79
Brass	Threaded	3.80
	Solder Cup	5.27

Approximate weight: 39 lbs., w/flanges 53 lbs.

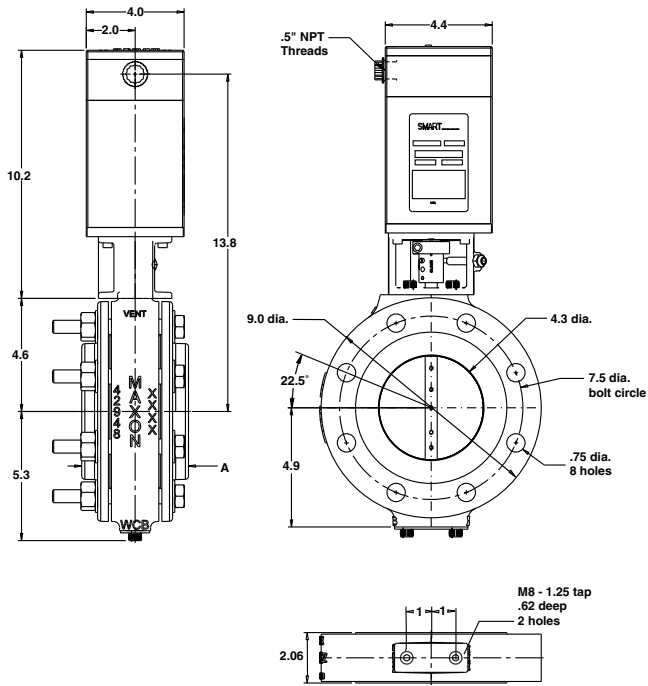
Flange Dimension "A"

Iron	Threaded	3.83
	Socket Welded	4.03
Steel	Threaded	4.13
	Socket Welded	4.03
Brass	Threaded	4.02
	Solder Cup	5.09

Approximate weight: 44 lbs., w/flanges 62 lbs.

Dimensions (in inches)

4" SMARTLINK™ Butterfly Valve

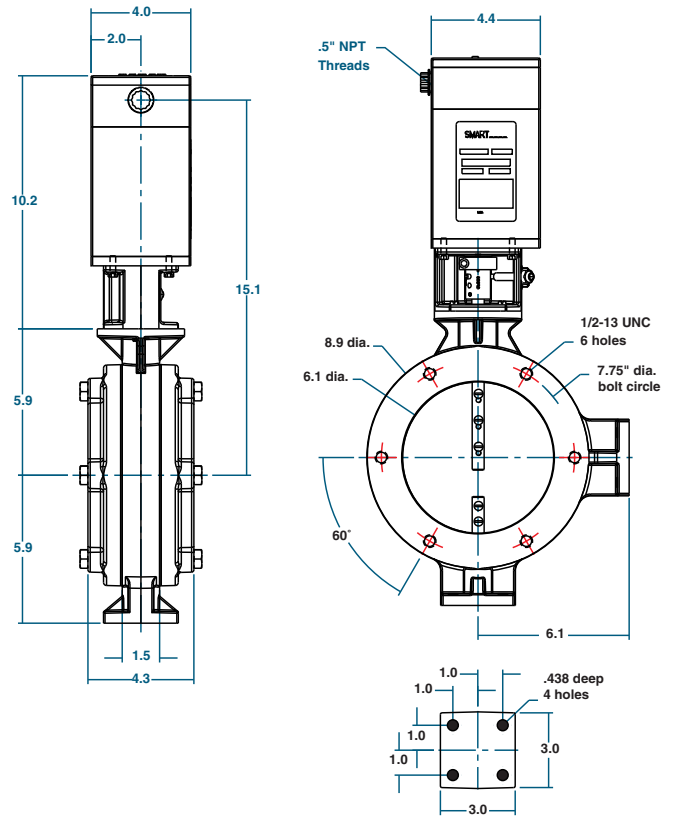


Flange Dimension "A"

Iron	Threaded	4.13
	Socket Welded	4.06
Steel	Threaded	4.06
	Socket Welded	4.06

Approximate weight: 49 lbs., w/flanges 71 lbs

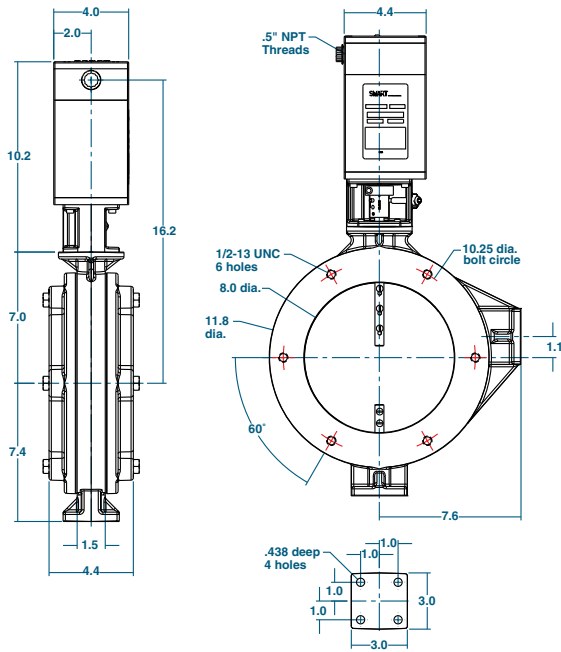
6" SMARTLINK™ Butterfly Valve



Approximate weight: 55 lbs., w/flanges 71 lbs.

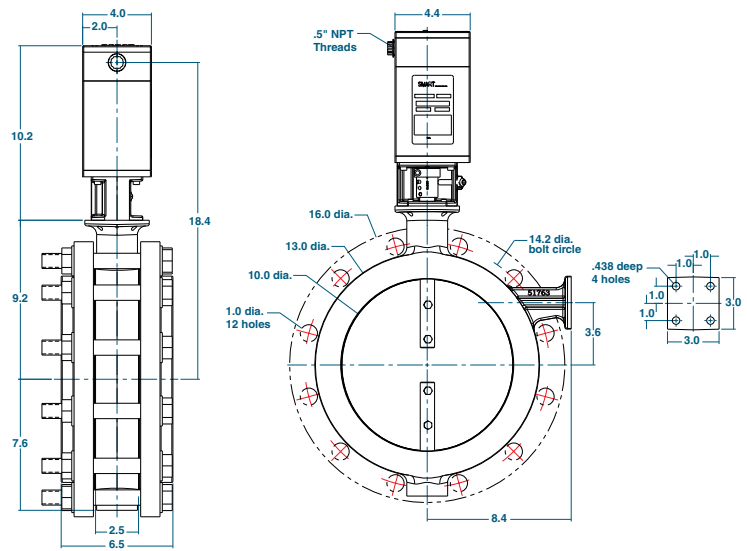
Dimensions (in inches)

8" SMARTLINK™ Butterfly Valve



Approximate weight: 61 lbs., w/flanges 91 lbs.

10" SMARTLINK™ Butterfly Valve

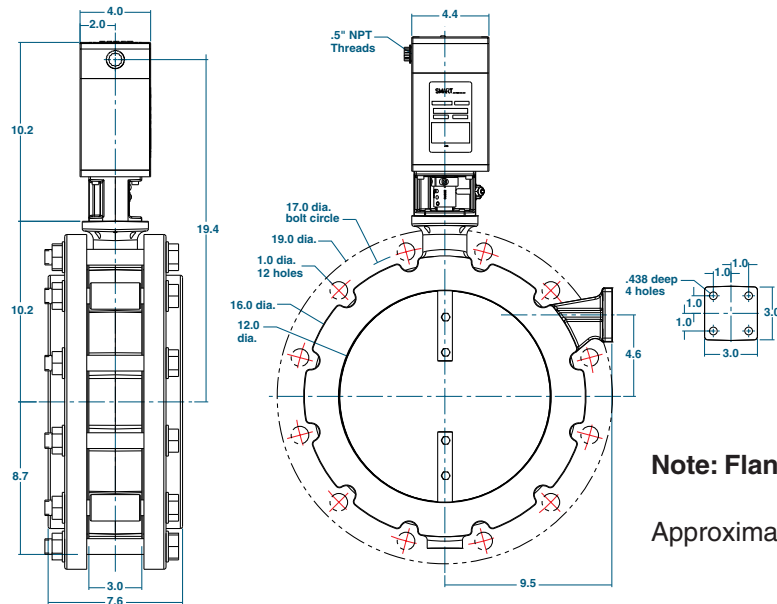


Note: Flanges are shipped loose.

Approximate weight: 66 lbs., w/flanges 139 lbs.

Dimensions (in inches)

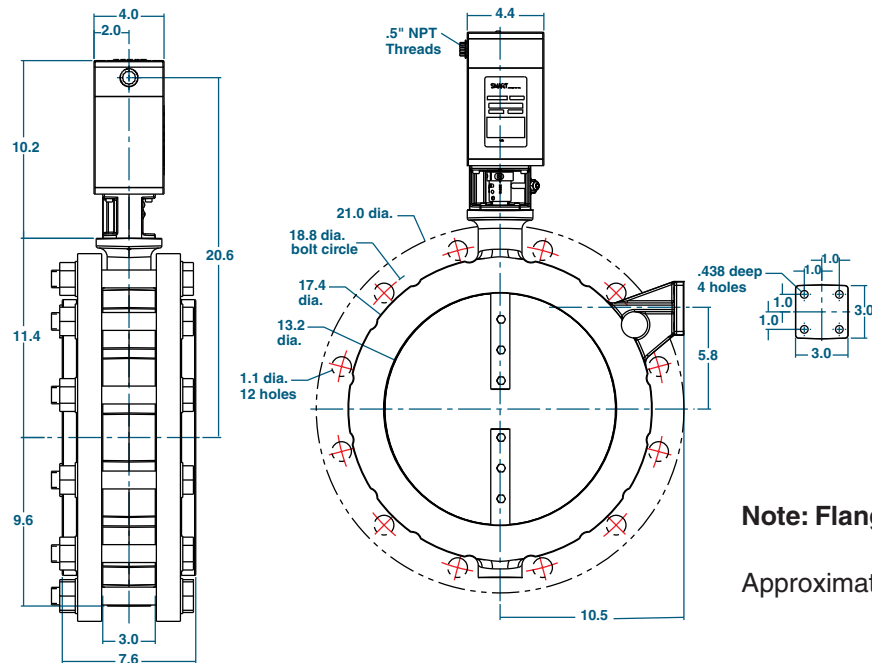
12" SMARTLINK™ Butterfly Valve



Note: Flanges are shipped loose.

Approximate weight: 77 lbs., w/flanges 197 lbs.

14" SMARTLINK™ Butterfly Valve

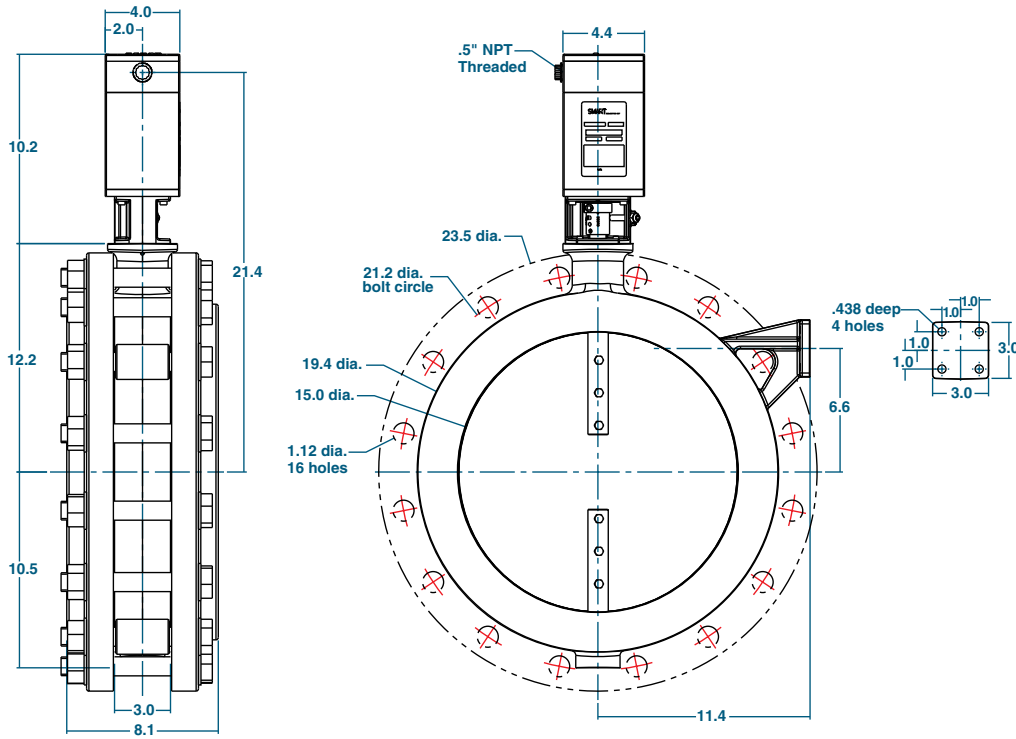


Note: Flanges are shipped loose.

Approximate weight: 109 lbs., w/flanges 266 lbs.

Dimensions (in inches)

16" SMARTLINK™ Butterfly Valve



Note: Flanges are shipped loose.

Approximate weight: 134 lbs., w/flanges 343 lbs

Model Number Description

Ball Valves

The model number shown on the valve nameplate can accurately identify every Maxon SMARTLINK™ Ball Valve. The example below shows a typical SMARTLINK™ Ball Valve model number, along with the available choices for each item represented in the

model number. The first three choices determine the valve's configured item number. The next eight characters in the model number identify valve body and actuator options.

Configured Item Number			Valve Body				Actuator				
Valve Size	Flow Capacity	Series	Body Connection	Body Seals & Packing	Body Material	Body Internals	Torque Rating	Software Version	Language		
0100	7	SLBV	-	B	E	2	1	-	1	1B	A

Size

- 0050 - .5"
- 0075 - .75"
- 0100 - 1"
- 0125 - 1.25"
- 0150 - 1.5"
- 0200 - 2"

Flow Capacity

- 1 - 1/32" Slot
- 2 - 1/16" Slot
- 3 - 1/8" Slot
- 4 - 3/16" Slot
- 5 - 1/4" Slot
- 6 - 30° V
- 7 - 60° V
- 8 - 90° V
- 9 - Round Port

Series

- SLBV - SMARTLINK Ball Valve

Body Connection

- A - ANSI Flanged 150#
- B - ANSI Threaded
- X - Special (see note 1)
- * - Actuator Only

Body Seals & Packing

- E - Teflon
- X - Special (see note 1)
- * - Actuator Only

Body Material

- 2 - Carbon Steel
- 5 - Stainless Steel
- X - Special (see note 1)
- * - Actuator Only

Body Internals

- 1 - Trim Package 1
- X - Special (see note 1)
- * - Actuator Only

Torque Rating

- 1 - 300 in-lbs
- X - Special
- * - Valve Body Only

Software Version [1]

- V1 - Version 1
- 1A - Version 1A
- 1B - Version 1B
- XX - Special
- ** - Valve Body Only

Language

- A - English
- X - Special
- * - Valve Body Only

[1] The latest version is the default; proper version must be specified for replacement items

Note: Please see page 7308 for all available ball valve options. These will require a special configuration.

Trim Package Options and Typical Materials:

- 1 - 300 Series Stainless Steel Ball, 300 Series Stainless Steel Stem and Teflon Seat Rings

Valve Body Capacities Ball Valves

Flow Coefficient - Cv vs. % Open

Size	Insert	0.0%	11.1%	22.2%	33.3%	44.4%	55.5%	66.7%	77.8%	88.9%	100.0%
.5"	1/32" Slot	0.00	0.00	0.03	0.07	0.12	0.16	0.20	0.24	0.28	0.32
	1/16" Slot	0.00	0.01	0.07	0.20	0.33	0.46	0.60	0.73	0.86	1.00
	1/8" Slot	0.00	0.01	0.10	0.36	0.61	0.86	1.10	1.40	1.60	1.80
	30° V	0.00	0.01	0.11	0.24	0.36	0.56	0.84	1.10	1.60	2.10
	60° V	0.00	0.01	0.12	0.33	0.60	0.84	1.40	2.00	3.10	4.40
	Round Port	0.00	0.15	0.29	0.46	0.70	1.10	1.80	2.60	4.30	6.40
.75"	1/16" Slot	0.00	0.01	0.06	0.24	0.40	0.56	0.73	0.90	1.00	1.20
	1/8" Slot	0.00	0.01	0.14	0.39	0.65	0.90	1.20	1.40	1.70	1.90
	30° V	0.00	0.01	0.11	0.24	0.41	0.67	1.00	1.40	1.90	2.60
	60° V	0.00	0.01	0.13	0.36	0.55	1.00	1.50	2.30	3.60	5.00
	Round Port	0.00	0.21	0.43	0.70	1.10	1.60	2.60	4.00	6.40	9.60
1"	1/16" Slot	0.00	0.03	0.10	0.40	0.67	0.94	1.20	1.50	1.70	1.90
	3/16" Slot	0.00	0.03	0.22	0.82	1.40	1.90	2.50	3.10	3.50	4.00
	30° V	0.00	0.03	0.21	0.56	1.00	1.60	2.40	3.40	4.60	6.20
	60° V	0.00	0.03	0.30	0.78	1.20	2.30	3.60	5.30	8.30	11.60
	90° V	0.00	0.03	0.48	1.20	2.30	3.50	5.40	7.70	10.80	12.10
	Round Port	0.00	0.58	1.20	1.90	2.80	4.30	7.00	10.50	17.00	26.00
1.25"	3/16" Slot	0.00	0.05	0.38	1.40	2.40	3.40	4.40	5.40	6.20	6.90
	30° V	0.00	0.05	0.39	1.00	1.80	2.90	4.40	6.40	8.60	11.40
	60° V	0.00	0.06	0.48	1.30	2.00	3.70	5.80	8.50	13.40	18.70
	90° V	0.00	0.06	0.78	2.00	3.70	5.70	8.80	12.50	17.50	19.70
	Round Port	0.00	0.91	1.80	3.00	4.40	6.70	10.90	16.40	26.60	40.60
1.5"	3/16" Slot	0.00	0.05	0.47	1.80	3.00	4.20	5.40	6.80	7.70	8.60
	30° V	0.00	0.05	0.41	1.20	2.10	3.50	5.20	7.60	10.30	13.70
	60° V	0.00	0.06	0.57	1.70	3.00	5.60	9.10	13.20	19.80	28.40
	90° V	0.00	0.06	1.00	2.80	4.50	8.10	13.40	19.70	30.90	47.10
	Round Port	0.00	1.50	3.00	4.80	7.20	11.00	18.00	27.00	44.00	65.50
2"	1/4" Slot	0.00	0.05	0.75	2.90	4.80	6.80	8.70	10.80	12.30	13.80
	30° V	0.00	0.05	0.55	1.70	3.40	5.70	8.30	12.10	16.60	22.20
	60° V	0.00	0.06	0.70	2.60	4.90	9.30	15.50	22.20	32.10	47.20
	90° V	0.00	0.06	0.88	3.30	6.10	11.70	19.40	27.50	40.10	59.00
	Round Port	0.00	2.20	4.30	7.00	10.50	16.20	26.40	39.60	64.00	96.00

Maximum Pressure is 300 psig

Maximum Fluid Temperature is 158°F

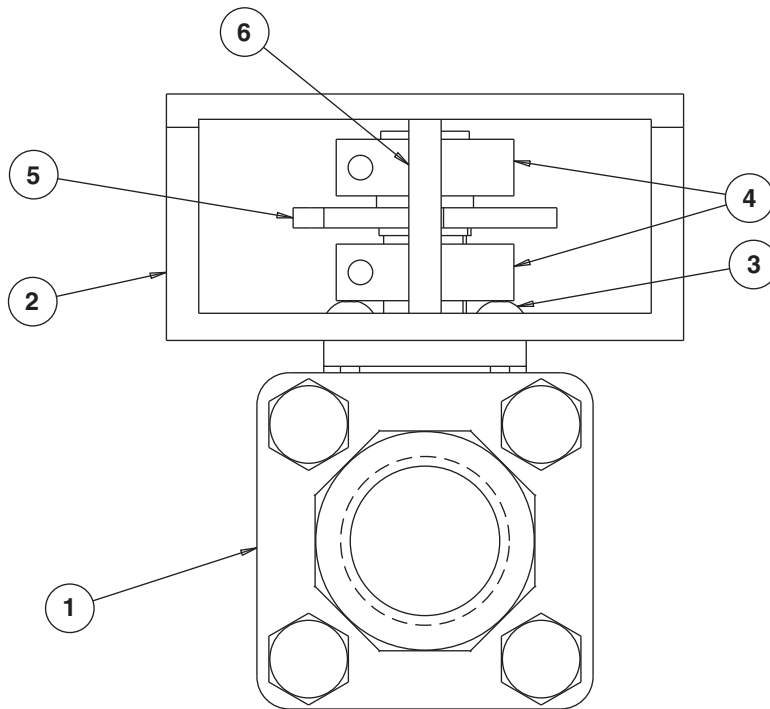
Special Valve Body Options

Ball Valves

Additional Ball Valve Options for Special Configuration (contact Maxon)

Body Connection	Body Seals & Packing	Body Material	Body Internals
Flat-Faced Flanged		Duplex	
Butt Weld	Body Seals	400 SS	Stem & Ball
Extended Butt Weld	Graphite	Alloy 20	Duplex
Clamp Ends	Kel-F	Monel	400 SS
Groove Ends	PEEK	Bronze	Alloy 20
Socket Weld	RPTFE	Hastelloy c	Monel
Extended Socket Weld	Carbon-filled RPTFE	CF8	Bronze
Tube Ends	UHMWPE	Titanium	Hastelloy c
300# RF Flanged	Viton		CF8
600# RF Flanged			Titanium
	Packing		Seat Rings
	Graphite		PFA
	RPTFE		Delrin
	Carbon-filled RPTFE		Hostafon
	Thrust Washer		Kel-F
	Graphite		PEEK
	Hostafon		RPTFE
	Kel-F		Carbon-filled RPTFE
	PEEK		
	RPTFE		
	Carbon-filled RPTFE		
	UHMWPE		

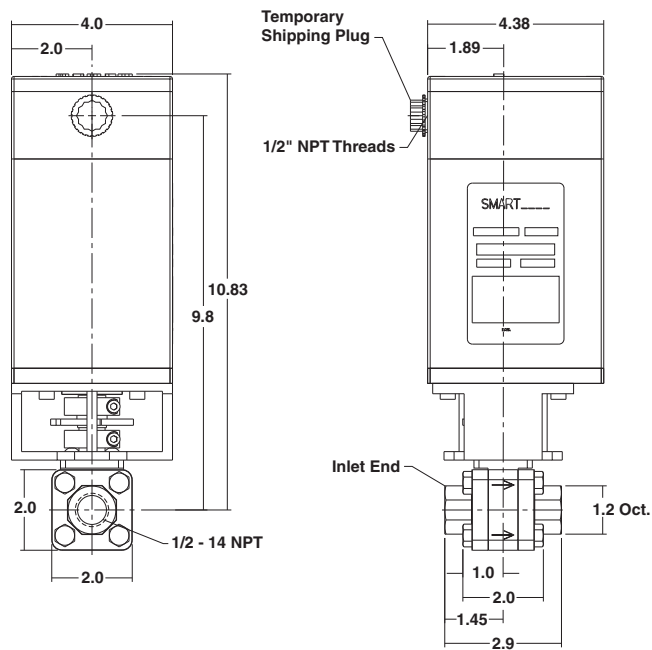
Valve Body Assembly Specifications Ball Valves



Item Number	Description	Component Material Specifications
1	Valve Body Sub-assembly	Based on selection on page 7306
2	Bracket	6063-T6 Aluminum Alloy UNS A96063
3	Button Head Screw	18-8 (type 303) Stainless Steel
4	Coupling Collar	Zinc Plated Alloy Steel
5	Coupling	303 Stainless Steel ASTM A582 UNS No. S30300
6	Hard Stop Pin	420 Stainless Steel

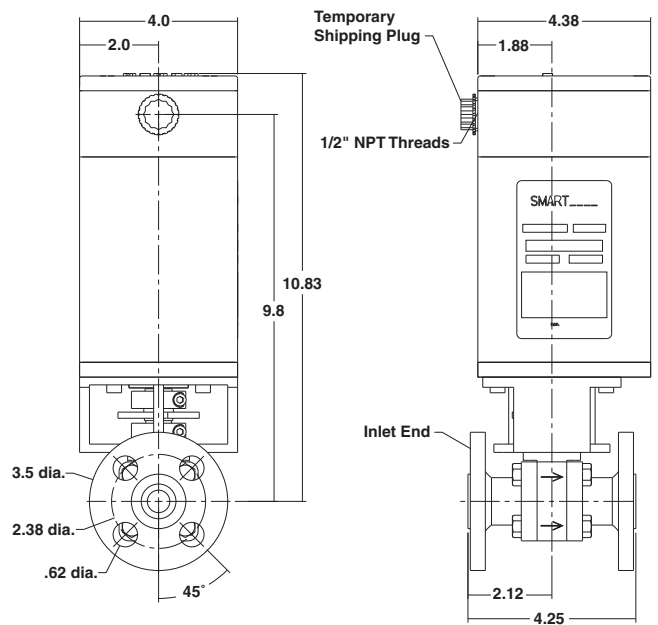
Dimensions (in inches)

.5" SMARTLINK™ Ball Valve - Threaded



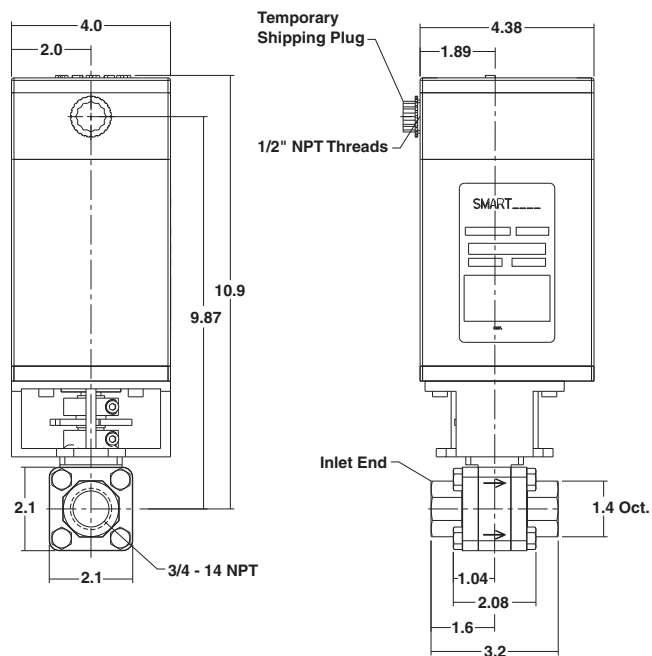
Approximate weight: 12 lbs.

.5" SMARTLINK™ Ball Valve - Flanged



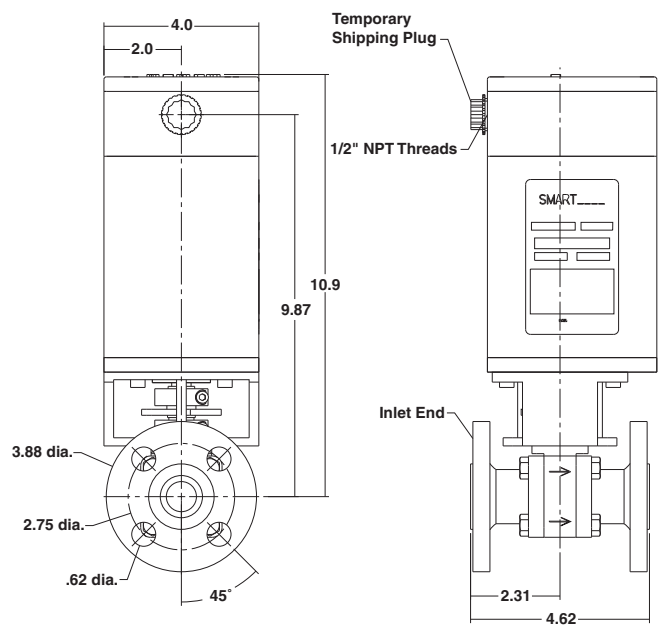
Approximate weight: 14 lbs.

.75" SMARTLINK™ Ball Valve - Threaded



Approximate weight: 13 lbs.

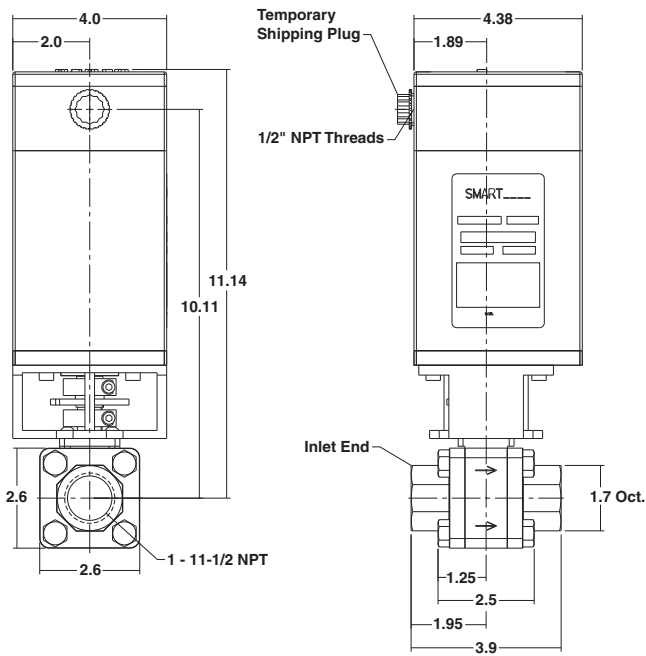
.75" SMARTLINK™ Ball Valve - Flanged



Approximate weight: 16 lbs.

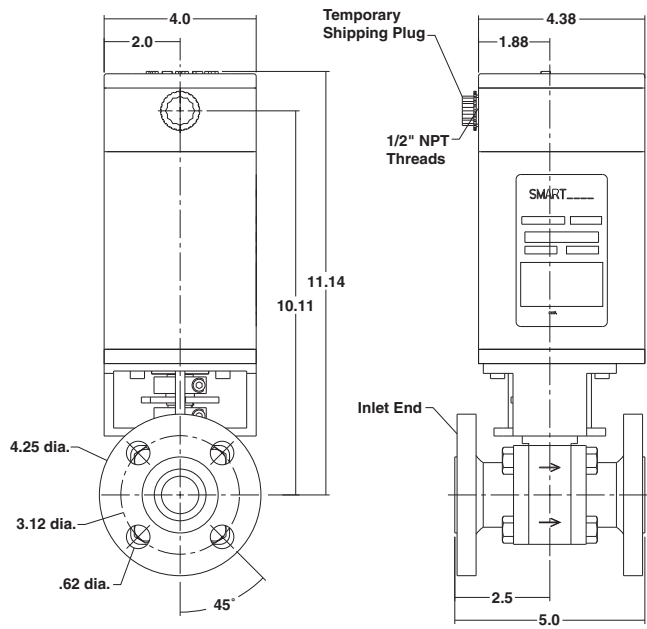
Dimensions (in inches)

1" SMARTLINK™ Ball Valve - Threaded



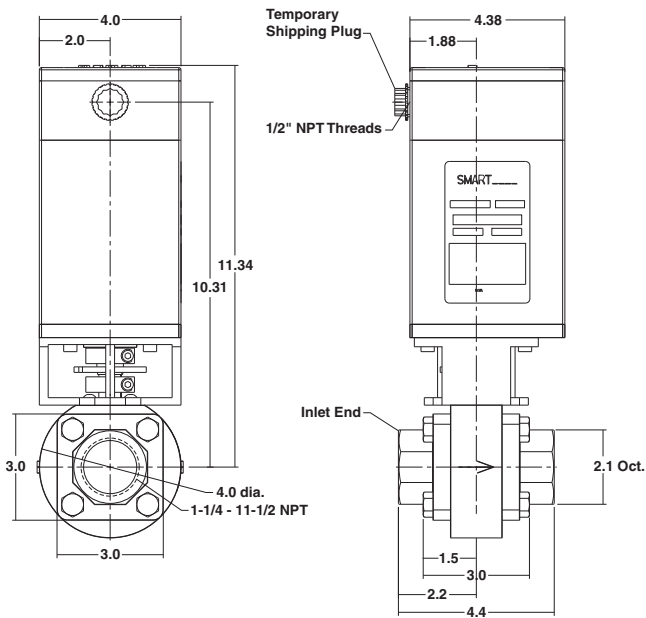
Approximate weight: 15 lbs.

1" SMARTLINK™ Ball Valve - Flanged



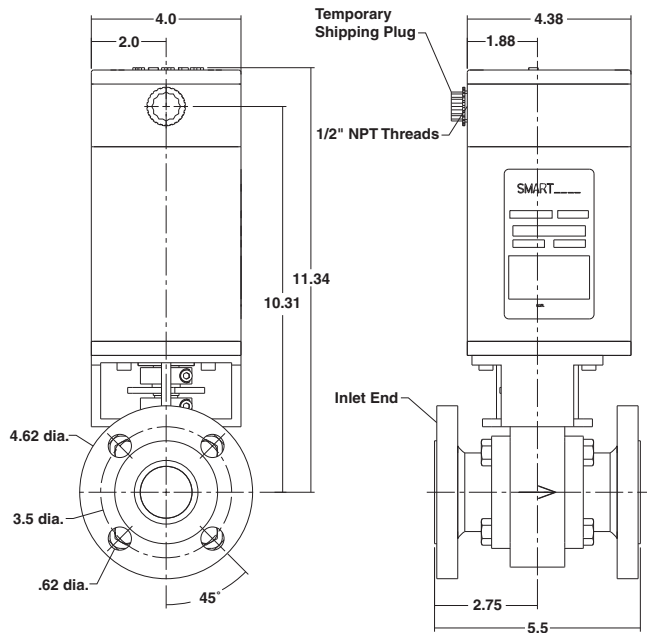
Approximate weight: 18 lbs.

1.25" SMARTLINK™ Ball Valve - Threaded



Approximate weight: 18 lbs.

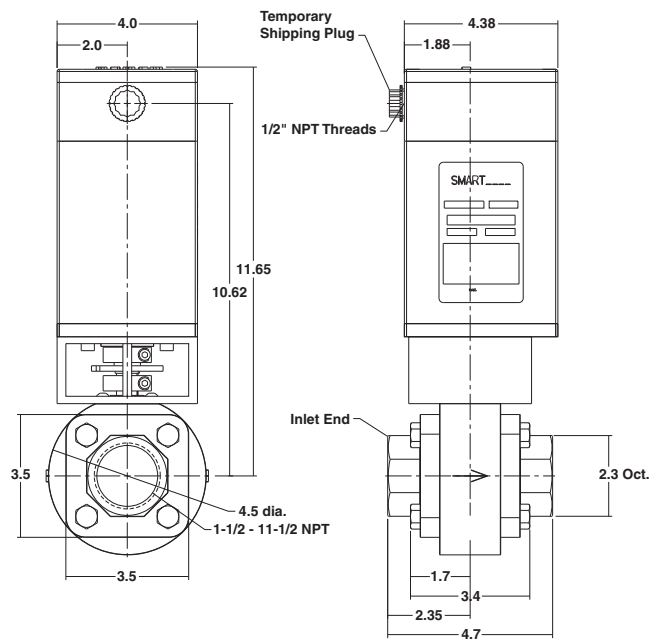
1.25" SMARTLINK™ Ball Valve - Flanged



Approximate weight: 23 lbs.

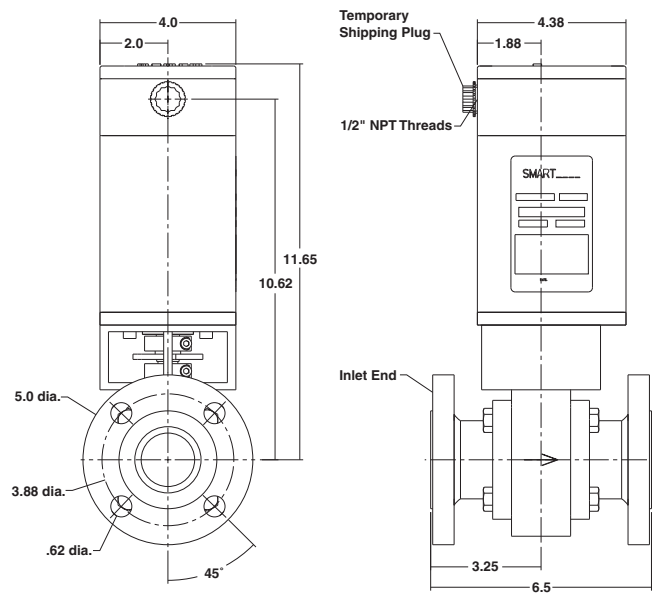
Dimensions (in inches)

1.5" SMARTLINK™ Ball Valve - Threaded



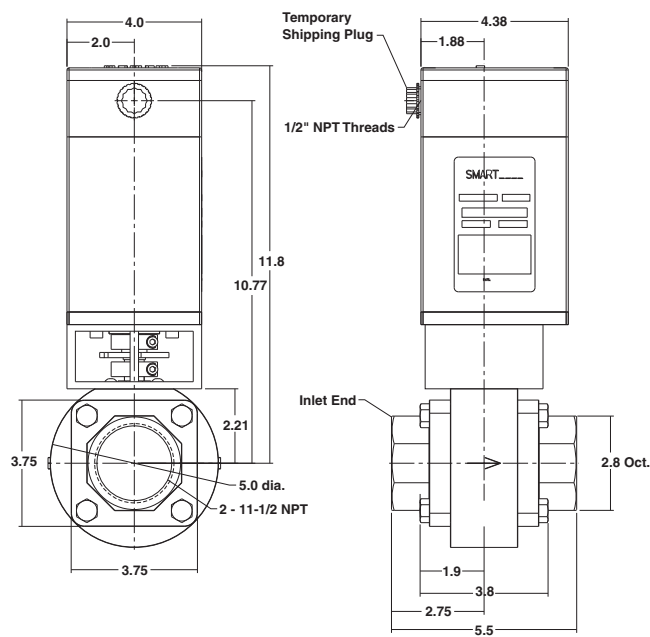
Approximate weight: 21 lbs

1.5" SMARTLINK™ Ball Valve - Flanged



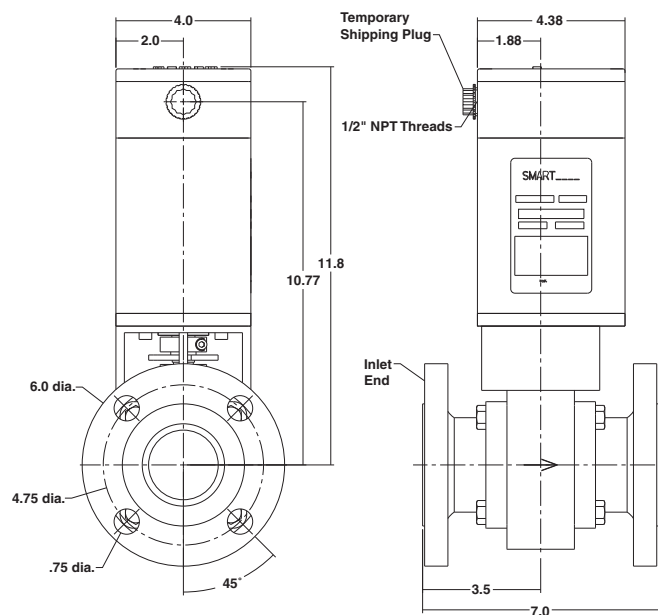
Approximate weight: 28 lbs.

2" SMARTLINK™ Ball Valve - Threaded



Approximate weight: 25 lbs.

2" SMARTLINK™ Ball Valve - Flanged



Approximate weight: 34 lbs

Model Number Description Control Actuator

The model number shown on the actuator nameplate can accurately identify every Maxon SMARTLINK™ Control Actuator. The example below shows a typical SMARTLINK™ Control Actuator model number, along with the available choices for each item represented in

the model number. The first choice determines the actuator's configured item number. The next five choices in the model number identify the connection and actuator options.

Configured Item #	Actuator							
Series	Connection		Torque Rating	Software Version	Language		Rotation	
SL CA	-	K1	-	1	1B	A	-	2

Series

SL CA - SMARTLINK Control Actuator

Torque Rating

1 - 300 in-lbs
X - Special

Rotation

1 - Clockwise
2 - Counter-Clockwise

Connection

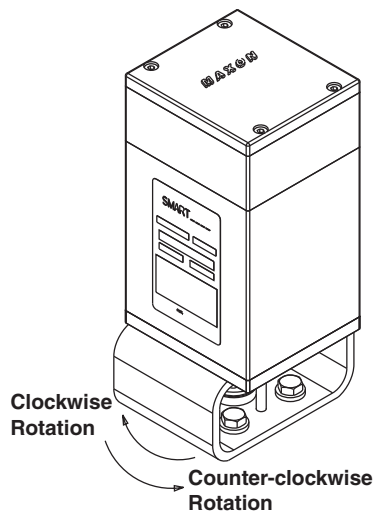
K1 - 1/2" Keyed Output Shaft
L1 - Linkage Arm
S1 - 1/2" Square Output Shaft
S2 - 3/4" Square Output Shaft

Software Version [1]

1B - Version 1B
XX - Special

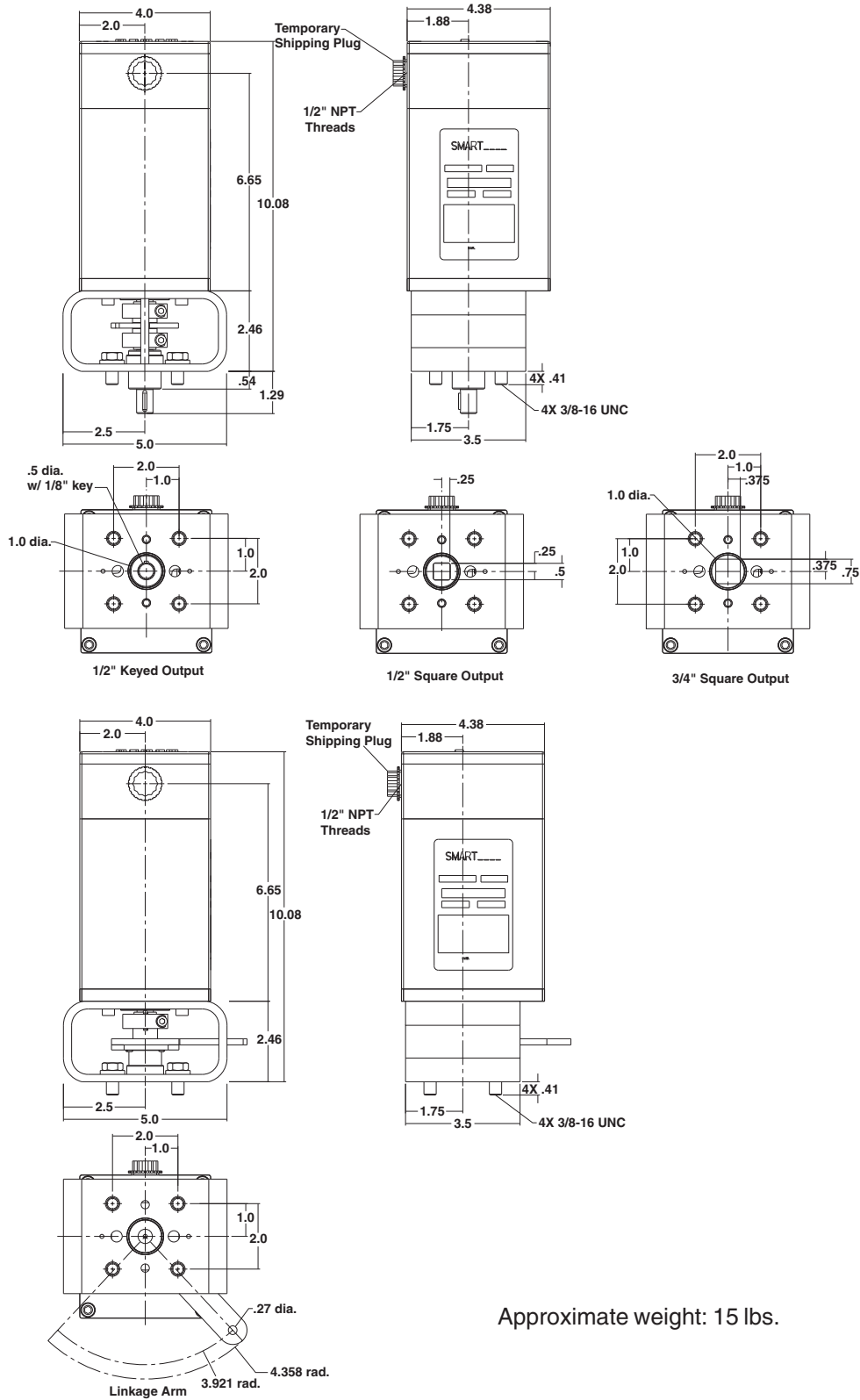
Language

A - English
X - Special



Dimensions (in inches)

Control Actuator



Approximate weight: 15 lbs.

Model Number Description Spare Actuator

The model number shown on the actuator nameplate can accurately identify every Maxon SMARTLINK™ Spare Actuator. The example below shows a typical SMARTLINK™ Spare Actuator model number, along with the available choices for each item represented in

the model number. The first choice determines the actuator's configured item number. The next four choices in the model number identify the actuator options.

Configured Item Number	Valve Body			Actuator		
Series	Torque Rating	Software Version	Language	Rotation		
SL SA	-	1	1B	A	-	2

Series

SL SA - SMARTLINK™ Spare Actuator

Torque Rating

1 - 300 in-lbs
X - Special

Rotation [1]

1 - Clockwise
2 - Counter-clockwise

Software Version

V1 - Version 1
1A - Version 1A
1B - Version 1B
XX - Special

Language

A - English
X - Special

[1] The correct rotation must be specified.

- a. Butterfly valves are always supplied in a counter-clockwise rotation.
- b. Ball valves are always supplied in a counter-clockwise rotation.
- c. Control actuators are customer specific and rotation must be obtained from the actuator this spare is intended to replace.

Model Number Description Control Interface

The model number shown on the control interface nameplate can accurately identify every Maxon SMARTLINK™ Control Interface. The example below shows a typical SMARTLINK™ Control Interface model number, along with the available choices for

each item represented in the model number. The first four characters determine the Control Interface's configured item number. The next 11 characters in the model number identify the assembly options.

Configured Item #	Assembly Options															
Series	Software Version	Language	Enclosure		Alarm	Control Enable	High Position Limit	Low Position Limit	Manual Control		Power Supply	DIN Rail Assembly		High Position Command	Low Position Command	
SL CI	-	1B	A	A	-	1	1	1	1	1	-	A	1	-	A	A

Series

SL CI - SMARTLINK Control Interface

Software Version [1]

V1 - Version 1
1A - Version 1A
1B - Version 1B
XX - Special

Language

A - English
X - Special

Enclosure

0 - None
A - 16x12x8, NEMA 4/4X, Window
X - Special

Alarm

0 - None
1 - 24VDC Relay
X - Special

Control Enable

0 - None
1 - 24VDC Relay
X - Special

High Position Limit

0 - None
1 - 24VDC Relay

Low Position Limit

0 - None
1 - 24VDC Relay
X - Special

Manual Control

0 - None
1 - 24VDC Relay
X - Special

Power Supply

0 - None
A - 24VDC Relay
X - Special
* - Included w/Enclosure

DIN Rail Assembly

0 - None
1 - Parts mounted, factory wired
2 - Parts mounted, not wired
X - Special
* - Included w/Enclosure

High Position Command

0 - None
A - 120VAC
X - Special

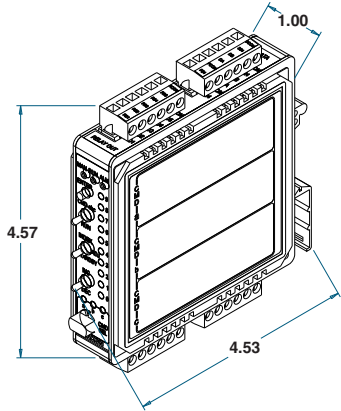
Low Position Command

0 - None
A - 120VAC
X - Special

[1] The latest version is the default; proper version must be specified for replacement items

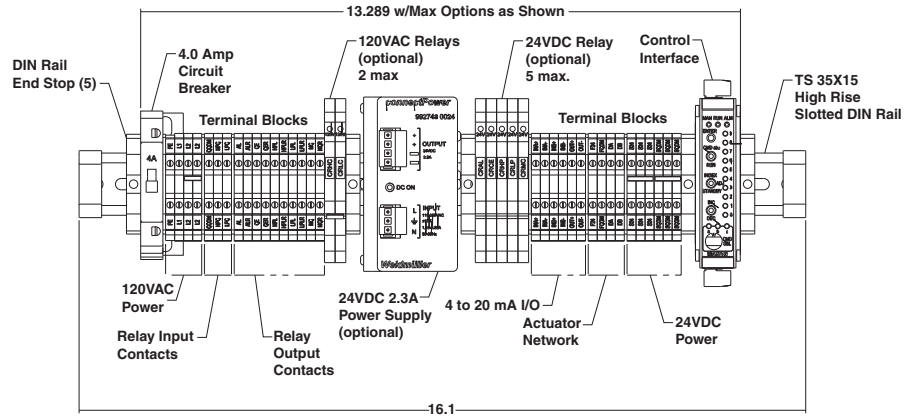
Dimensions (in inches)

Control Interface



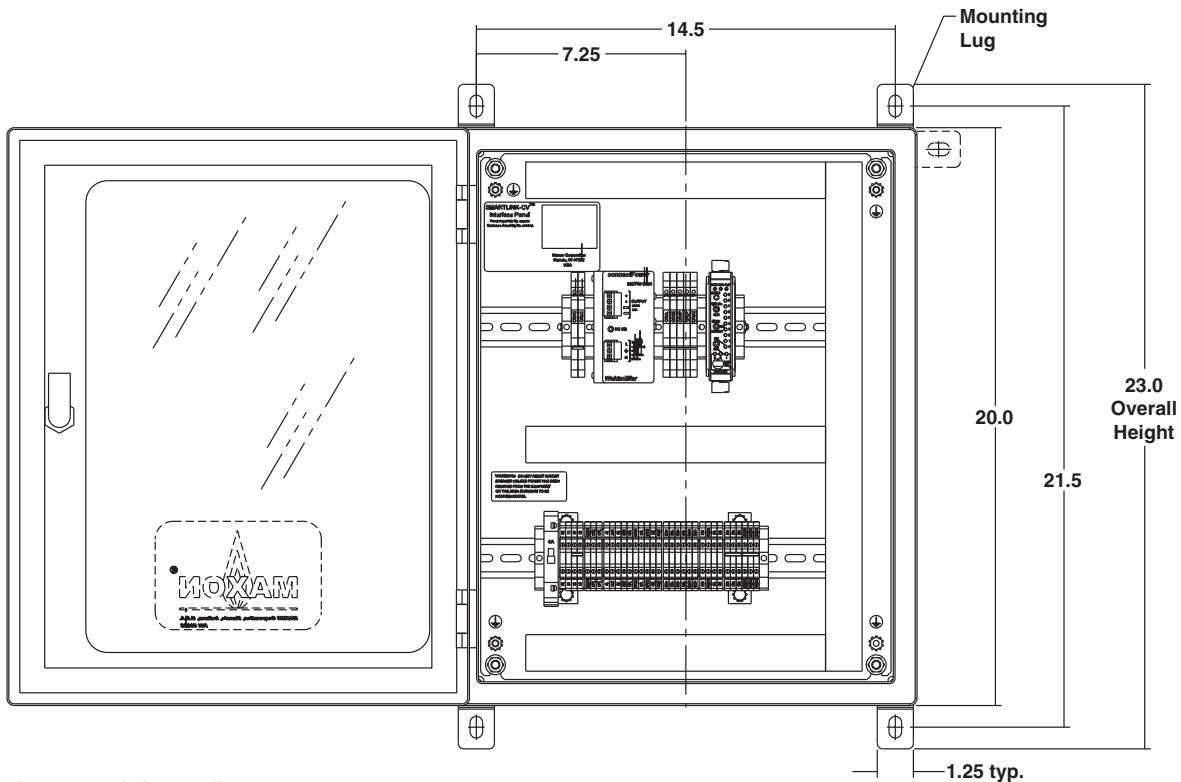
Approximate weight: 1 lb.

DIN Rail Assembly (maximum options shown)



Approximate weight: 5 lbs

Interface Panel (maximum options shown)



Approximate weight: 40 lbs