

# DCM 817

## Passive DC signal isolator

**without power supply,  
modular design**

The signal isolator serves to electrically insulate a DC signal in the range 0/4...20 mA (see Fig. 1). It operates passively, i.e. it does not require a separate power supply. The signal isolator is available in two versions which differ in the shape of the connection pins (see Figures 2 and 3 and Table 1). Its modular design enables one or several signal isolators to be mounted on a printed circuit board.

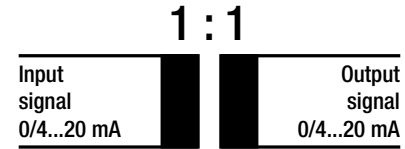


Fig. 1

### Features / Benefits

- **Electrically insulated between input and output signal / Prevents the transfer of interference voltages and currents, solves grounding problems in meshed signal networks and is cheap and small**
- **No power supply required / Less termination and wiring work**
- **Modular design / Versatility of application**
- **Small dimensions / Saves space**



Fig. 2. Signal isolator type DCM 817-4.



Fig. 3. Signal isolator type DCM 817-5.

### Layout and mode of operation

The DC signal isolator comprises a DC chopper Z, an isolating stage T, a rectifier R and an oscillator O (see Fig. 4). The chopper converts the DC signal E into an AC signal. This signal is passed through a transformer serving as an isolating stage. On the secondary site, it is rectified, smoothed and converted into a DC signal A.

The DC chopper is controlled by the oscillator which obtains its power from the input signal.

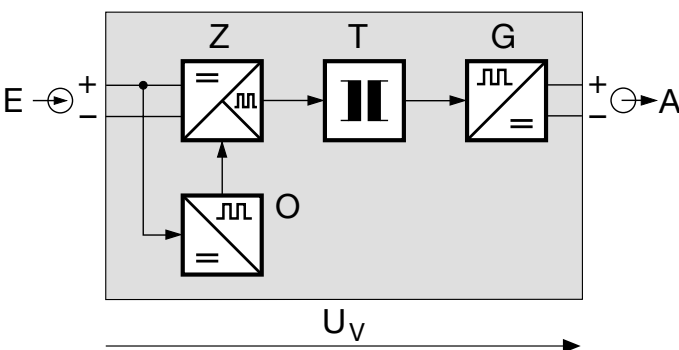


Fig. 4. Schematic diagram.

### Technical data

#### Input E

Current signal:	0/4...20 mA
Max. permissible current:	50 mA
Voltage limiter:	18 V $\pm$ 5% (with zener diode)
Voltage drop $U_V$ :	< 2 V (for 500 $\Omega$ burden)
Overshoot:	< 20 $\mu$ A (typical 5 $\mu$ A)

#### Output A

Current signal:	0/4...20 mA
Limit:	Approx. 30 mA

# DCM 817

## Passive DC signal isolator

Residual ripple: < 20 mV<sub>ss</sub>  
 Time constant: Approx. 5 ms  
 Max. burden: 600 Ω

### Accuracy data

Error limits: < ± 0.1%  
 (reference value 20 mA, linearity error included)

### Reference conditions

Ambient temperature: 23 °C, ± 1 K  
 Output burden: 100 Ω

### Additional error

Burden influence: < 0.2 % (at 500 Ω)  
 Temperature coefficient: < 50 ppm/K

### Regulations

Test voltage: 500 V<sub>eff</sub>, 50 Hz, 1 min  
 (acc. to IEC 1010)  
 Max. surge voltage: 800 V (acc. to IEC 1010)

### Ambient conditions

Ambient temperature: Operation -20...65 °C  
 Storage -40...85 °C  
 Seismic test: 5 g, < 200 Hz,  
 2 h in each of 3 directions  
 Shock test: **50 g**  
 10 shocks in each of 3 directions

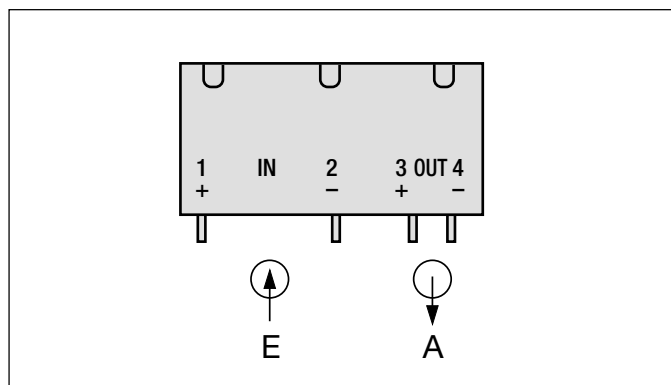
### Table 1: Units available ex stock

Both versions of the signal isolator are available ex stock. Quoting the order No. is sufficient when ordering.

Type	Version	Order No.
DCM 817-4	bent contact pins	988 719
DCM 817-5	straight contact pins	988 727

(Not available in Germany)

### Electrical connections



### Dimensional drawings

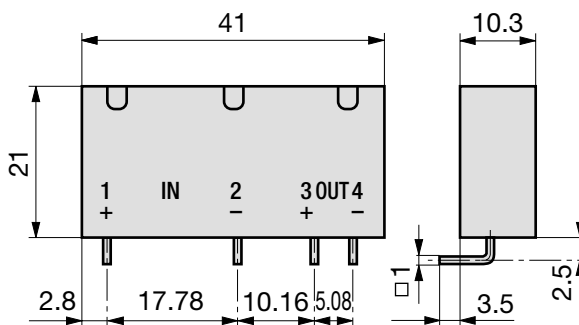


Fig. 5. Signal isolator type DCM 817-4.

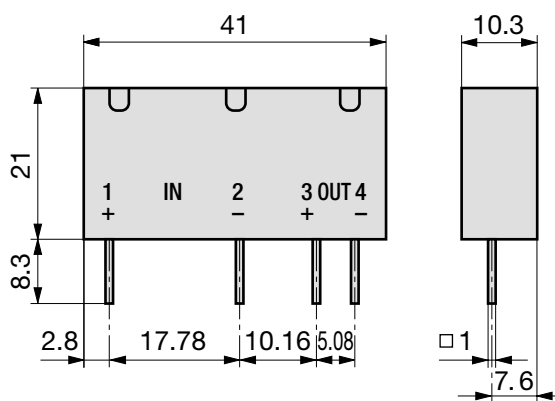


Fig. 6. Signal isolator type DCM 817-5.