



PG-IL SANITARY IN-LINE FILTER HOUSINGS

Compressed Air & Process Filtration

Stainless steel filter housings for sanitary gas and liquid applications.

Donaldson® PG-IL in-line filter housings are designed for sanitary filtration of liquids and gases in installations where traditional t-style housings are not practical. The slim, compact design of PG-IL housings allows them to be installed in tight spaces and, when used in gas application, either in a vertical or horizontal orientation. The housings are equipped with 1½" Tri-Clamp®* inlet and outlet connections and ½" Tri-Clamp vent/drain ports. Internal and external surfaces are electropolished to Ra 30.

PG-IL housings are available in four sizes with a capacity up to 1,290 scfm for gas applications and up to 18 gpm for liquid. Standard housings utilize Code 7 (P7) filter elements with 226 o-rings, bayonet connection and centering fin adapter. A broad range of filter element types are available to meet your specific compatibility and micron rating requirements.



PG-IL

SPECIFICATIONS

MATERIALS

Filter Housings	316L SS standard; 304 SS optional
Housing Gasket	EPDM (other gaskets on request)

MAXIMUM OPERATING PRESSURE

Gas	150 psig
Liquid	250 psig

MAXIMUM OPERATING TEMPERATURE

300°F standard, for higher temperatures consult factory	
---	--

SURFACE FINISH

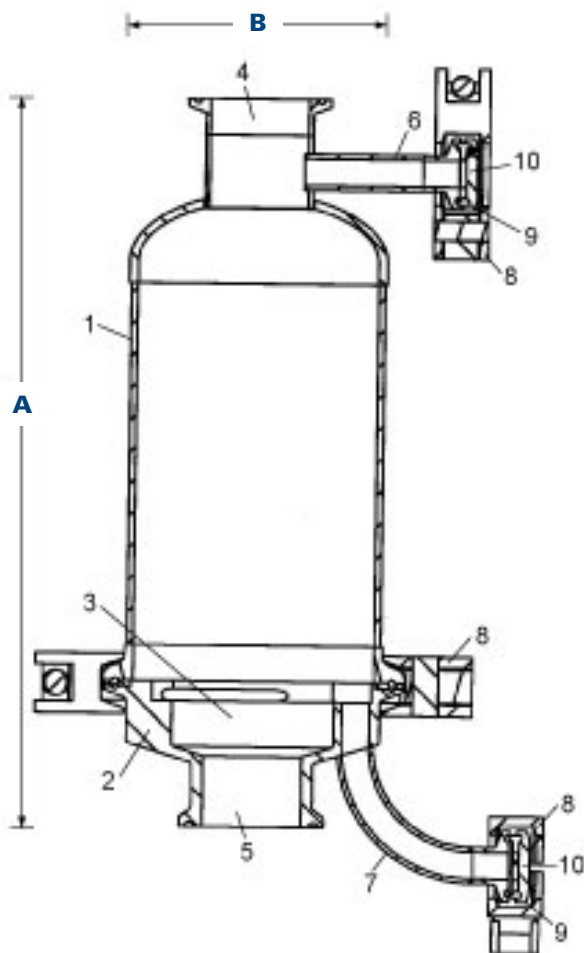
All Models	Electropolished to Ra 30
------------	--------------------------

CONNECTION TYPES

All Models	Tri-Clamp connection
------------	----------------------

* Tri-Clamp is a registered trademark of Ladish Company.

DIMENSIONS



Position	Description
1	Upper housing bowl
2	Lower housing bowl
3	Filter element socket (P7)
4	Inlet
5	Outlet
6	Vent
7	Vent/drain
8	V-clamp
9	Clamp gasket
10	Vent/drain cap

Size	A (inches)	B (inches)	Inlet/Outlet Tri-clamp (inches)	Vent/Drain Tri-clamp (inches)	Code 7 Element Size
0005	10	3.5	1.5	0.5	5/3
0010	15	3.5	1.5	0.5	10/3
0020	25	3.5	1.5	0.5	20/3
0030	35	3.5	1.5	0.5	30/3



Donaldson Company, Inc.
 Compressed Air and Process Filtration
 PO Box 1299
 Minneapolis, MN
 55440-1299 U.S.A.

Tel 800-543-3634 (USA)
 Tel 800-343-3639 (within Mexico)
 Fax 952-885-4791
 compressedair@donaldson.com
 donaldsonprocessfilters.com

