

Stainless steel gas filter housing for sanitary applications.

Donaldson® PG-EG Sanitary Gas filter housings are designed for purification of compressed air and technical gases in the pharmaceutical, biotechnology, chemical, electronic, food and beverage industries. PG-EG filter housings are equipped with sanitary Tri-Clamp®* and flange connections, and have an electropolished surface finish of Ra 32. The top vent is sealed with a pharma plug, while the bottom condensate drain is equipped with a pharma valve. PG-EG filter housings are designed to yield low differential pressures at high flow rates.

PG-EG sanitary filter housings are available in 12 different sizes with capacity ranging from 4.5 to 1,620 scfm at 14.7 psia. Optional connections are also available to adapt the filter to meet your specific requirements. Standard housings utilize Donaldson filter elements with 2-inch, double o-ring, plug-in connections. A broad selection of filter elements is available to meet the compatibility and micron rating requirements of your process.



PG-EG

SPECIFICATIONS

MATERIALS

Filter Housing	316L stainless steel
Clamp	304 stainless steel
Pharma Plug	316 stainless steel
Pharma Valve	316 stainless steel
Housing Gasket	EPDM

MAXIMUM OPERATING PRESSURE

Models 0006-0192	232 psig
------------------	----------

MAXIMUM OPERATING TEMPERATURE

Depends on the gasket of the housing, up to 390°F

3-A SANITARY CERTIFIED

Models 0006-0192	3-A stamped
------------------	-------------

SURFACE FINISH

Etched, passivated, and electropolished Ra32

CONNECTION TYPES

All models: Tri-Clamp

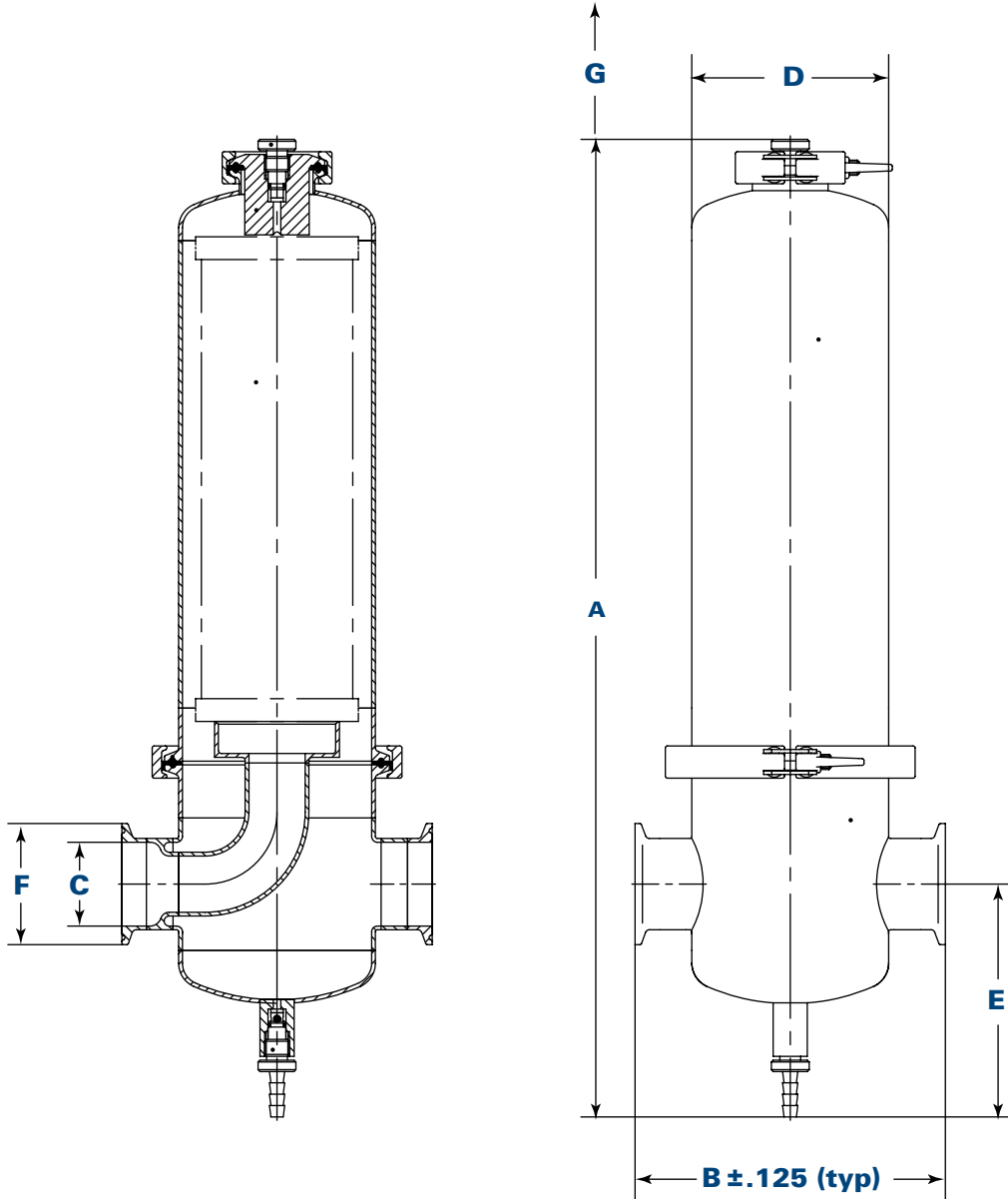
ANSI flange (standard starting at 0432; optional up to 0192)

Weld ends (optional)

Other connections and larger housings are available on request.

* Tri-Clamp is a registered trademark of Ladish Company.

DIMENSIONS

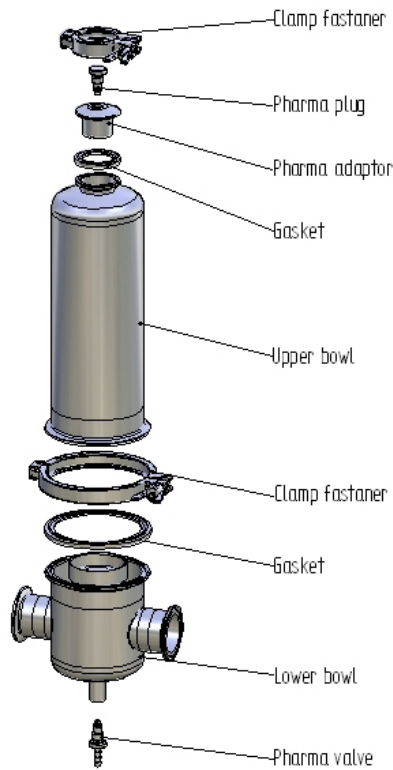
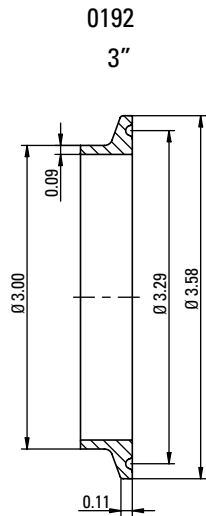
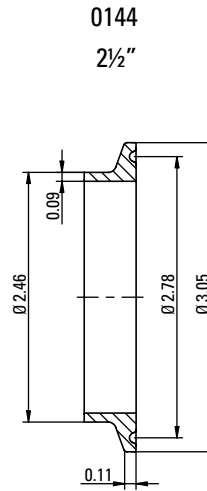
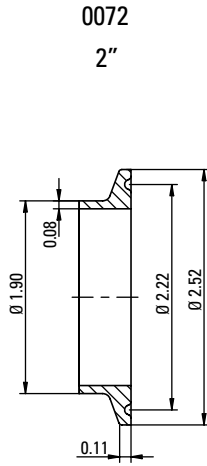
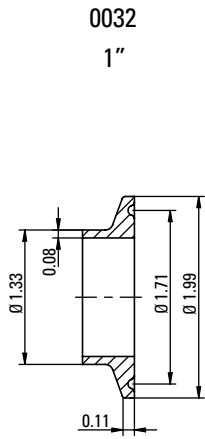
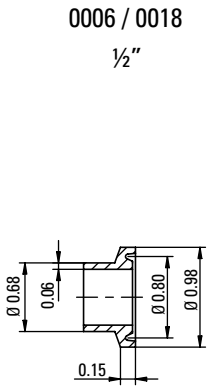


with Tri-Clamp Connection
3-A certified

Size	Volume (gal)	Weight* (lb)	Dimensions (inches)							Quantity & Element Size
			A	B	øC	øD	E	øF	G	
0006	0.16	3.3	11.40	4.72	0.50	2.76	3.76	1.00	5.9	1 x 03/10
0018	0.21	3.8	13.50	4.72	0.50	2.76	3.76	1.00	8.0	1 x 05/20
0032	0.50	5.0	16.20	6.40	1.00	4.10	4.84	2.00	9.0	1 x 05/30
0072	0.90	6.5	21.20	6.50	2.00	4.10	4.84	2.52	14.2	1 x 10/30
0144	1.43	10.0	32.40	8.14	2.50	4.10	5.43	2.96	24.0	1 x 20/30
0192	1.95	12.5	41.00	8.14	3.00	4.10	5.43	3.60	33.9	1 x 30/30

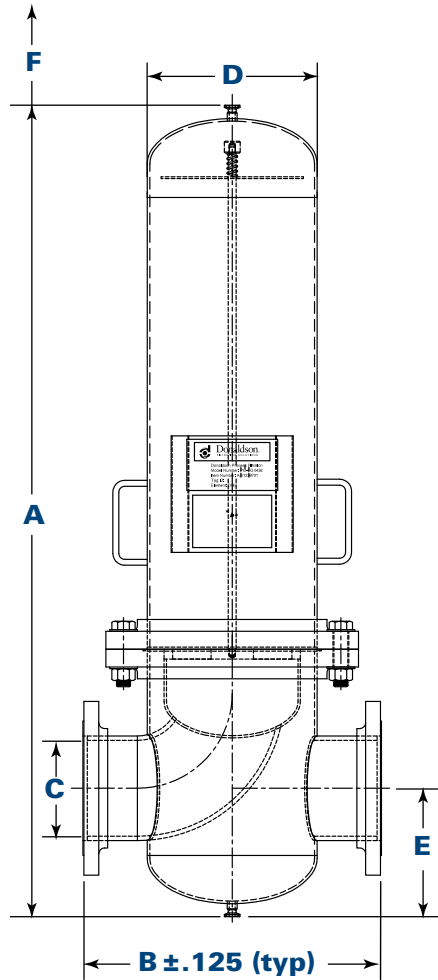
* Without filter element

CLAMP CONNECTION



* PF-EG & PG-EG single filter element housings meet 3-A Sanitary Standards.

DIMENSIONS



with ANSI Flange Connection
ASME Code Stamped

Size	Dimensions (inches)						Quantity & Element Size
	A	B	øC**	øD	E	F	
0432	38.0	16.14	4	8.6	7.3	23	3 x 20/30
0576	48.8	16.14	4	8.6	7.3	33	3 x 30/30
0768	51.5	18.90	6	10.8	8.12	33	4 x 30/30
1152	55.7	21.26	6	12.8	9.3	33	6 x 30/30
1536	59.5	26.00	8	16.0	12.8	33	8 x 30/30
1920	59.7	26.00	8	16.0	12.8	33	10 x 30/30

* Without filter element

** 150 lb, ANSI B 16.5



Donaldson Company, Inc.
Compressed Air and Process Filtration
PO Box 1299
Minneapolis, MN
55440-1299 U.S.A.

Tel 800-543-3634 (USA)
Tel 800-343-3639 (within Mexico)
Fax 952-885-4791
processfilters@donaldson.com
donaldson.com

