

Stainless steel filter housing for sanitary applications.

Donaldson® PF-EG filter housings are designed for filtration of beverages and other liquids such as process water, mineral water, beer, wine, soft drinks, juice and other products. They are equipped with sanitary Tri-Clamp®* connections and have internal and external electropolished surface finishes of 32 Ra. The top of the housing is equipped with a 1½" Tri-Clamp connection for ancillary equipment such as pressure relief valves or pressure gauges. The lowest point of the housings are equipped with pharma valves or Tri-Clamp vent/drain connections. PF-EG housings are designed to yield low differential pressure at high flow rates.

PF-EG filter housings are 3-A certified and are available in 13 different sizes, offering a wide range of capacity depending on element selection. 1" connection housings and larger utilize Code 7 (P7) filter elements with 226 o-rings, bayonet connection and centering fin adapter. Our broad selection of filter elements will exactly meet the compatibility and micron rating requirements of your process.



PF-EG

SPECIFICATIONS

MATERIALS

Filter Housing	316L SS
Attachment Parts	304 SS
Housing Gasket	EPDM (other gaskets on request)

MAXIMUM OPERATING PRESSURE

150 psig at 300°F (with EPDM gaskets)

MAXIMUM OPERATING TEMPERATURE

Up to 300°F depending on filter element selection and gasket material

3-A SANITARY CERTIFIED

All Models 3-A stamped

SURFACE FINISH

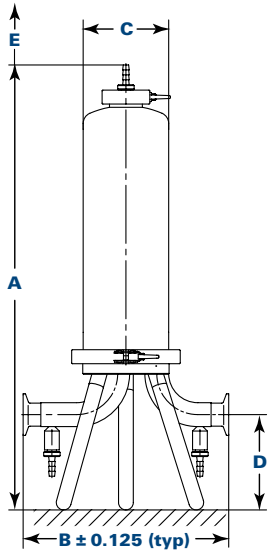
All Models Electropolished to 32 Ra

CONNECTION TYPES

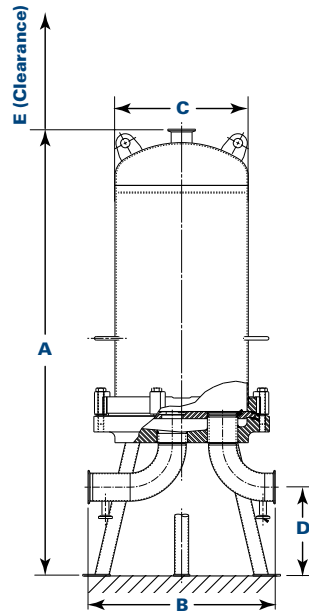
All models: Tri-Clamp Connection

* Tri-Clamp is a registered trademark of Ladish Company.

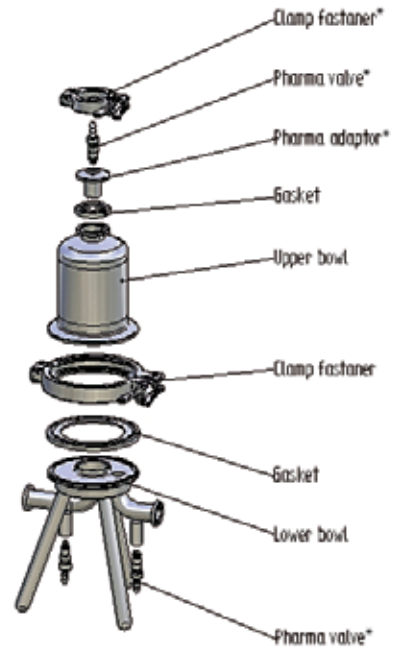
DIMENSIONS & SPECIFICATIONS



Models 0003 to 0075



Models 0080 to 0600



* Pharma valves on PF-EG 0003 to 0075 only.

Type	Volume (gallon)	Weight** (lb)	Conn. (in) Tri-Clamp	A (inches)	B (inches)	øC (inches)	D (inches)	E (inches)	Element Qty.	Element Size
0012	0.40	9.7	1	17.2	9.8	4.1	4.6	14.6	1	05/30 (P7)
0025	0.66	11.5	1	22.2	9.8	4.1	4.6	19.9	1	10/30 (P7)
0050	1.20	14.5	1	32.2	9.8	4.1	4.6	30.0	1	20/30 (P7)
0075	1.70	17.4	1	42.2	9.8	4.1	4.6	40.0	1	30/30 (P7)
0080	0.20	70.0	1½	25.7	13.0	6.7	8.0	11.0	3	10/30 (P7)
0150	0.40	78.0	1½	38.0	14.0	6.7	8.0	23.0	3	20/30 (P7)
0225	0.60	85.0	1½	48.0	14.0	6.7	8.0	33.0	3	30/30 (P7)
0250	0.70	131.0	2	37.0	17.0	10.8	5.8	23.0	5	20/30 (P7)
0375	1.00	144.0	2	47.0	14.5	10.8	5.8	33.0	5	30/30 (P7)
0400	1.50	200.0	2½	43.0	20.0	14.3	9.5	23.0	8	20/30 (P7)
0600	2.10	225.0	3	53.0	25.0	14.3	9.5	33.0	8	30/30 (P7)

** Without filter element, legs included.



* PF-EG & PG-EG single filter element housings meet 3-A Sanitary Standards.



Donaldson Company, Inc.
Compressed Air and Process Filtration
PO Box 1299
Minneapolis, MN
55440-1299 U.S.A.

Tel 800-543-3634 (USA)
Tel 800-343-3639 (within Mexico)
Fax 952-885-4791
processfilters@donaldson.com
donaldson.com

