

STAINLESS STEEL LIQUID FILTRATION HOUSING.

Donaldson® P-FG filter housings are designed for filtration of liquids such as process water, mineral water, beer, wine, soft drinks, juice and other liquids.

Donaldson's standard P-FG is built using 304 stainless steel. It is mill finished inside with a two-part paint exterior. The housing is equipped with two pressure gauges and either FNPT or Flanged connections, depending on the housing size. The housing is equipped with a vent and clean and dirty drain ports. All housings are built to accept Code 7 filter elements using 226 o-rings, bayonet locking tabs and locating fins. Our broad selection of filter elements will meet the requirements of your process.

P-FG filter housings are also available in 316 stainless steel as well as with ASME. Our seven standard sizes offer a wide range of capacity depending on element selection. Custom housings are available upon request.

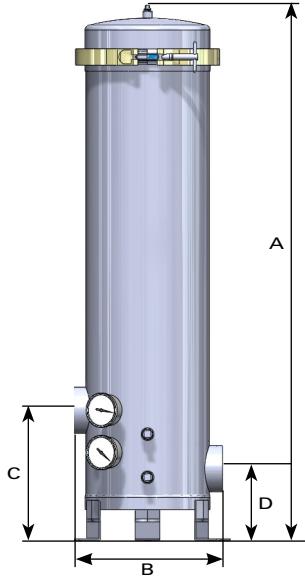


P-FG

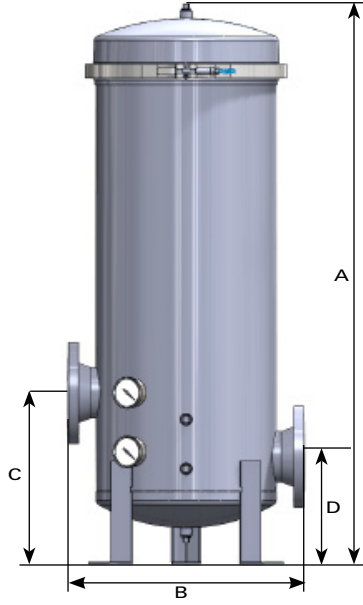
TECHNICAL DATA

Housing Material	304L SS (316 SS available upon request)
Gasket Material	EPDM (other gasket materials are available upon request)
Max. Operating Pressure	150 psig at 300°F (with EPDM gaskets)
Max. Inlet Temperature	Up to 300°F
Connection Types	FNPT and Flange, depending on size
Inner Surface Finish	Mill Finish Stainless Steel
Outer Surface Finish	Bead Blast

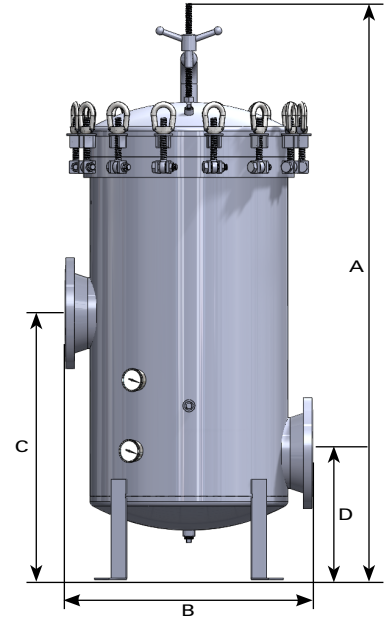
DIMENSIONS & SPECIFICATIONS



P-FG 0050 – 0250



P-FG 0450



P-FG 0700 & 1000

Model Number	Closure	Capacity (gpm)	Connection	Dimensions (inches)					Weight w/o Element (lbs)	Element	
				Height (A)	Width ± 0.250 (B)	Conn. Height		Clearance		Size	Qty.
						Inlet (C)	Outlet (D)				
P-FG 0050	Clamp	50	2" FNPT	33.1	9.9	9.5	5.5	23	33	20/30	4
P-FG 0100	Clamp	100	2" FNPT	43.1	9.9	9.5	5.5	33	41	30/30	5
P-FG 0150	Clamp	150	3" FNPT	42.9	12.3	10.6	5.8	33	65	30/30	7
P-FG 0250	Clamp	250	3" FNPT	49.6	14.3	15.4	10.0	33	92	30/30	12
P-FG 0450	Clamp	450	4" ANSI Flange	49.2	21.0	15.3	9.6	33	146	30/30	21
P-FG 0700	Swing Bolt Only	700	6" ANSI Flange	68.9	25.8	32.4	14.0	33	336	30/30	32
P-FG 1000	Swing Bolt Only	1,000	8" ANSI Flange	70.0	30.0	32.4	15.4	33	581	30/30	50



Donaldson Company, Inc.
 Compressed Air and Process Filtration
 PO Box 1299
 Minneapolis, MN
 55440-1299 U.S.A.

Tel 800-543-3634 (USA)
 Tel 800-343-3639 (within Mexico)
 Fax 952-885-4791
 processfilters@donaldson.com
donaldsonprocessfilters.com

